

# Side Channel Blower

## 高壓鼓風機



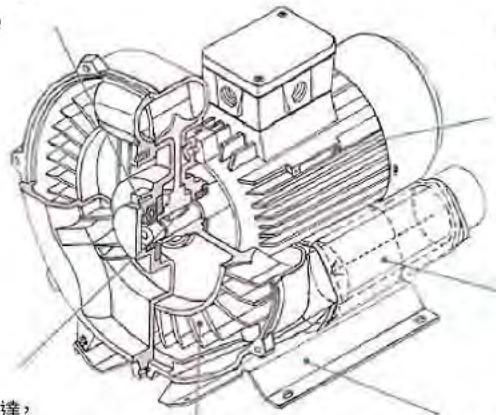
三敏電機股份有限公司  
SUN MINES ELECTRICS.CO.,LTD





## 鼓風機構造 Side Channel Blower Construction

外側軸承 External bearing  
散熱良好 Cool-running  
運轉壽命長 Long life



### 馬達 Motor **CE**

工業用IM50/60Hz,鼠籠式馬達全密F級和H級,  
IP55 Industrial quality 50/60Hz Squire-cage  
motor totally enclosed(IP55 ) with F class and  
H class insulation

### 消音器 Silencer

內藏是消音管 Built-in silencer

### 油封 Shaft Seal

使用免保養的軸封保護馬達，  
將馬達與鼓風機本體隔離。

Motor protected by  
maintenance-free shaft seal

### 使用高效率的鋁合金風葉

High-efficiency die-cast  
impellers for all types

### 吸震式固定底座

Shock-absorbing mounting plate

## 鼓風機特性 Side Channel Blower Specific

### 安裝容易

可隨時安裝與使用,供壓縮空氣或用於抽真空,  
亦可任意安裝於水平或垂直的方向。

### Easy to install

The blower is a complete unit ready for immediate installation either as a vacuum pump or as a compressor. The unit can be mounted in any position, horizontally or vertically.

### 結構堅固,可靠性高

鼓風機與馬達外殼分開壓鑄,皆用鋁合金精密壓鑄成型,堅固耐用。除了風葉之外,鼓風機沒有其他動件,因此可靠性高幾乎免維修。

### Rugged

The cast for the impeller and the motor are individual to be made by aluminum. The blower has the highly-developed design which results in a pump construction with one moving part, a feature ensuring maximum operating reliability. Maintenance free!

### 無汙染

風葉旋轉時,不與任何部分零件接觸,免潤滑,無油氣無汙染。

### No oily odors

The impeller rotates with absolutely no contact between it and the housing. This means no lubrication is required, guaranteeing 100% oil-free operation.

### 低噪音低震動

一體式的消音設施,低噪音馬達直接運轉,風葉均經過電腦平衡校正與高精密的機械加工,使震動及噪音降到最低。

### Low Noise and Vibration

The use of direct-driving low noise motors and integral silencers ensure a low noise level. Dynamic balancing minimizes vibration.

### 最高品質

精密機械設計,專業製造經驗,每一台鼓風機在出廠前均經過嚴格測試。

### High Efficiency

Under serious QC control, the parts used in DG blower are of top quality. All blowers are made by professional technicians.







單相馬達 / Single Phase AC IP55 50Hz/60Hz

型號 Model	曲線編號 Curve No.	頻率 Frequency (Hz)	功率 Output (kW)	電壓 Voltage (V)	滿載額定電流 Current (A)	靜壓 Static pressure 吸 Vacuum / 吐 combapressor (mbar)	最大風量 Max Airflow (m³/min)	噪音 Noise (dB)A	重量 Weight (Kg)
RS-100-11	D1	50	0.18	100-120/200-240	2.50/1.25	50/40	1.0	52	6.5
	G1	60	0.20	110-120/220-240	2.60/1.30	70/70	1.2	55	
RS-200-11	D2	50	0.40	100-120/200-240	5.40/2.70	110/130	1.5	58	11.5
	G2	60	0.50	110-120/220-240	7.80/3.90	130/150	1.8	61	
RS-200-11W	D3	50	0.40	100-120/200-240	5.80/2.90	110/130	1.5	58	12.0
	G3	60	0.50	110-120/220-240	7.80/3.90	130/150	1.8	61	
RS-300-11	D4	50	0.75	100-120/200-240	11.6/5.80	140/150	2.6	63	16.0
	G4	60	0.85	110-120/220-240	13.0/6.50	140/140	3.1	64	
RS-300-11W	D5	50	0.75	100-120/200-240	11.6/5.80	140/150	2.5	63	16.5
	G5	60	0.85	110-120/220-240	13.0/6.50	140/140	3.1	64	
RS-300-31	D6	50	1.10	100-120/200-240	14.0/7.00	160/190	2.6	63	16.5
	G6	60	1.30	110-120/220-240	16.0/8.00	180/190	3.1	64	
RS-400-21	D7	50	1.10	100-120/200-240	15.8/7.70	150/150	3.7	70	23.5
	G7	60	1.30	110-120/220-240	19.2/9.60	150/140	4.4	73	
RS-400-31	D8	50	1.50	100-120/200-240	20.0/10.0	180/190	3.7	70	26.0
	G8	60	1.75	110-120/220-240	22.8/11.4	180/170	4.4	73	
RS-400-31W	D9	50	1.50	100-120/200-240	20.0/10.0	180/190	3.7	70	26.5
	G9	60	1.75	110-120/220-240	22.8/11.4	180/170	4.4	73	
RS-230-11	D10	50	0.75	100-120/200-240	9.20/4.50	180/220	1.6	60	17.5
	G10	60	0.85	110-120/220-240	11.0/5A0	200/220	1.8	66	
RS-330-11	D11	50	1.50	100-120/200-240	20.0/10.0	240/250	2.6	66	28.5
	G11	60	1.75	110-120/220-240	22.8/11.4	250/260	3.1	69	

附註 / Remark :

- 上述資料供參考，若有不同以實品為主。  
Information above is for reference, product only when different.
- 本公司保有設計變更之權利，恕不另行通知。  
We reserve the right to change the design without notice.
- 如有任何疑問請洽經銷商或本公司。  
Should you require any further information or assistance, please do not hesitate to contact us or distributors.

型號說明 Description of model
RS- <b>XXX</b> -xx
系列代號 / Series number

RS-xxx- <b>Xx</b>
代表各系列中功率大小排序 The sort of output in each series

RS-xxx-x <b>X</b>
代表電壓 / Voltage Code

電壓代碼 Voltage Code		50Hz	60Hz
0	1~	100-120V	110-120V
1	1~	100-120/200-240V	110-120/220-240V
2	1~	185-220V	200-240V
3	1~	200-220V	220-240V
4	3~	200-240VΔ	200-240Δ
5	3~	185-225 Δ /320-390Y	200-240 Δ /345-415Y
6	3~	200-240 Δ /345-415Y	220-275 Δ /380-480Y
7	特殊電壓		
8	3~	345-415 Δ /600-720Y	380-480 Δ /660-830Y
9	3~	400-460 Δ /690-790Y	415-500 Δ /720-860Y

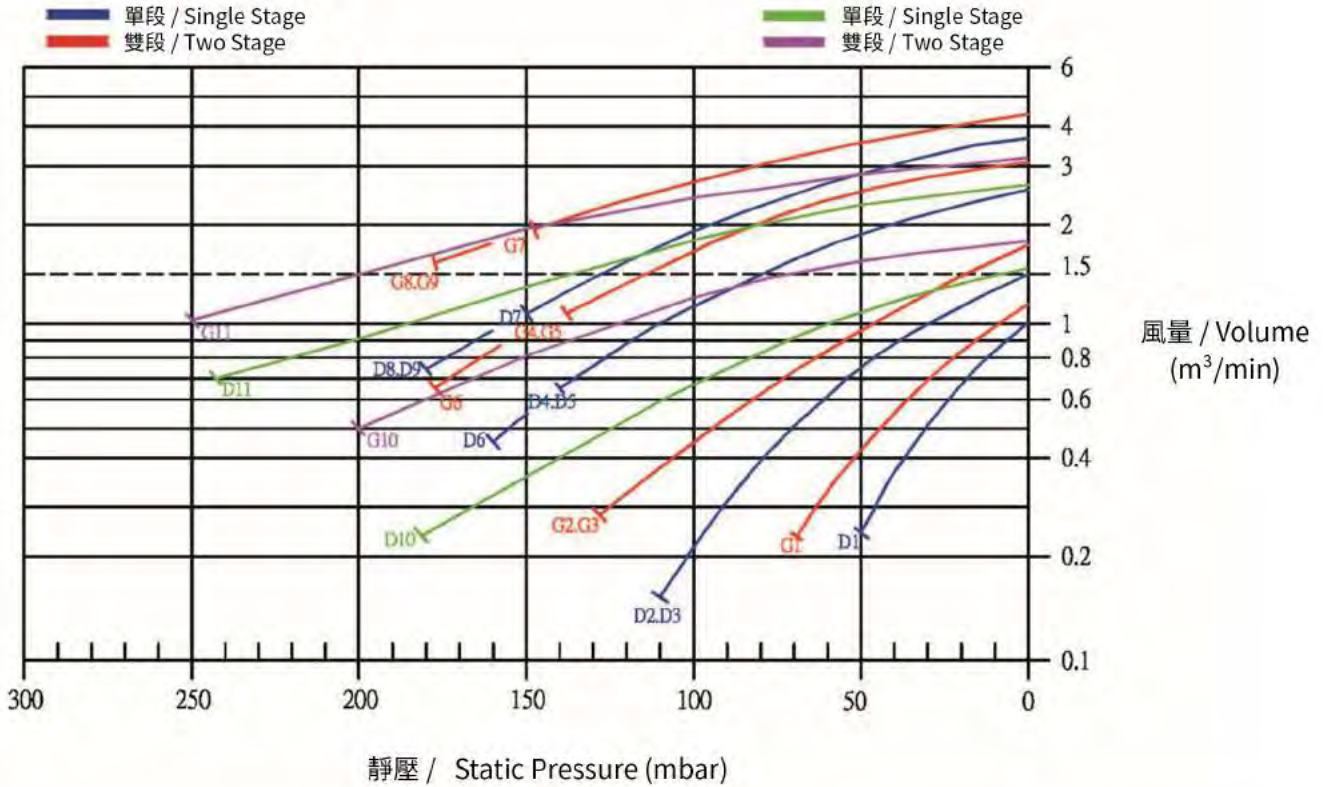
RS-xxx-xx <b>W</b>	耐水氣及吸熱風型 Waterproof
B	低風壓 Low Pressure
L	左盒 Terminal box on the left
R	右盒 Terminal box on the right



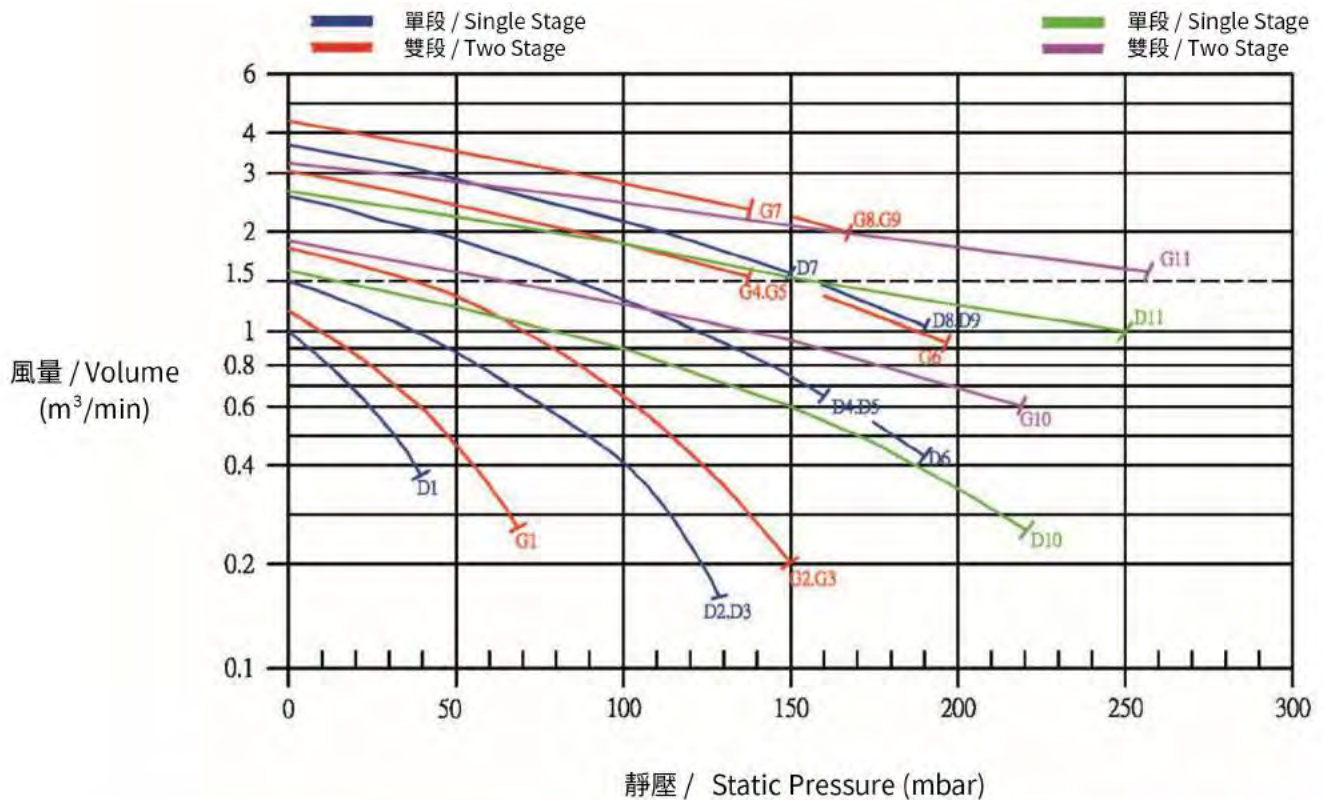


50Hz / 60Hz 單相曲線圖 / Single Phase Curve

吸 / Vacuum



吐 / Compressor







## 三相馬達 / Three Phase AC IP55 50Hz

型號 Model	曲線編號 Curve No.	頻率 Frequency (Hz)	功率 Output (kW)	電壓 Voltage (V)	滿載額定電流 Current (A)	靜壓 Static pressure 吸 Vacuum / 吐 Compressor (mbar)	最大風量 Max Airflow (m³/min)	噪音 Noise (dB)A	重量 Weight (Kg)
RS-100-16	D12	50	0.18	200-240 Δ /345-415Y	1.10 Δ /0.64Y	50/60	1	52	6.5
RS-200-16	D13	50	0.4	200-240 Δ /345-415Y	2.20 Δ /1.30Y	110/130	1.5	58	10.5
RS-200-16W	D14	50	0.4	200-240 Δ /345-415Y	2.20 Δ /1.30Y	100/130	1.5	58	11
RS-300-16	D15	50	0.75	200-240 Δ /345-415Y	3.70 Δ /2.14Y	140/140	2.6	63	14
RS-300-26	D16	50	0.9	200-240 Δ /345-415Y	4.20 Δ /2.40Y	165/180	2.6	63	15
RS-300-16B	D17	50	0.75	200-240 Δ /345-415Y	3.70 Δ /2.14Y	110/120	2.6	63	14
RS-300-16W	D18	50	0.75	200-240 Δ /345-415Y	3.70 Δ /2.14Y	140/140	2.6	63	14.5
RS-300-36	D19	50	1.3	200-240 Δ /345-415Y	4.60 Δ /2.65Y	175/200	2.6	63	16
RS-400-16	D20	50	0.9	200-240 Δ /345-415Y	4.20 Δ /2.40Y	130/120	3.7	70	20.5
RS-400-26	D21	50	1.3	200-240 Δ /345-415Y	5.70 Δ /3.30Y	180/180	3.7	70	22
RS-400-36	D22	50	1.75	200-240 Δ /345-415Y	6.70 Δ /3.90Y	210/220	3.7	70	23
RS-400-36B	D23	50	1.75	200-240 Δ /345-415Y	6.70 Δ /3.90Y	140/160	3.7	70	23
RS-400-36W	D24	50	1.75	200-240 Δ /345-415Y	6.70 Δ /3.90Y	210/220	3.7	70	23.5
RS-400-46	D25	50	2.2	200-240 Δ /345-415Y	7.80 Δ /4.50Y	220/270	3.7	70	26
RS-600-16	D26	50	2.2	200-240 Δ /345-415Y	9.70 Δ /5.60Y	220/210	5.5	72	32
RS-600-16B	D27	50	2.2	200-240 Δ /345-415Y	9.70 Δ /5.60Y	160/200	5.5	72	32
RS-600-16W	D28	50	2.2	200-240 Δ /345-415Y	9.70 Δ /5.60Y	220/210	5.5	72	32.5
RS-600-26	D29	50	3.4	200-240 Δ /345-415Y	12.5 Δ /7.20Y	255/270	5.5	72	34
RS-600-26W	D30	50	3.4	200-240 Δ /345-415Y	12.5 Δ /7.20Y	255/270	5.5	72	35.5
RS-600-36	D31	50	4	200-240 Δ /345-415Y	14.3 Δ /8.20Y	270/320	5.5	72	37
RS-800-16	D32	50	5.5	200-240 Δ /345-415Y	25.3 Δ /14.6Y	270/290	9.5	74	77
RS-800-26	D33	50	7.5	200-240 Δ /345-415Y	31.5 Δ /18.2Y	295/390	9.5	74	88
RS-900-16	D34	50	9	200-240 Δ /345-415Y	36.0 Δ /20.8Y	200/190	18.9	76	100
RS-900-26	D35	50	13	200-240 Δ /345-415Y	46.8 Δ /27.0Y	290/270	18.9	76	112
RS-900-36	D36	50	20	200-240 Δ /345-415Y	66.7 Δ /38.6Y	350/440	18.9	76	159
RS-230-16	D37	50	0.75	200-240 Δ /345-415Y	3.45 Δ /2.00Y	200/240	1.6	60	17
RS-330-16	D38	50	1.75	200-240 Δ /345-415Y	6.70 Δ /3.90Y	275/300	2.6	66	25
RS-330-26	D39	50	2.2	200-240 Δ /345-415Y	7.80 Δ /4.50Y	320/390	2.6	66	28
RS-430-16	D40	50	3.4	200-240 Δ /345-415Y	12.5 Δ /7.20Y	345/410	3.7	74	40
RS-430-26	D41	50	4	200-240 Δ /345-415Y	14.3 Δ /8.20Y	355/460	3.7	74	43
RS-630-26	D42	50	4	200-240 Δ /345-415Y	15.4 Δ /8.90Y	350/350	5.5	75	55
RS-630-36	D43	50	5.5	200-240 Δ /345-415Y	21.6 Δ /12.5Y	410/500	5.5	75	72
RS-630-46	D44	50	7.5	200-240 Δ /345-415Y	31.5 Δ /18.2Y	420/580	5.5	75	82
RS-640-36	D45	50	5.5	200-240 Δ /345-415Y	21.6 Δ /12.5Y	200/220	7.9	75	72
RS-640-46	D46	50	7.5	200-240 Δ /345-415Y	31.5 Δ /18.2Y	240/275	7.9	75	82
RS-830-16	D47	50	7.5	200-240 Δ /345-415Y	31.5 Δ /18.2Y	350/350	9.5	76	112
RS-830-26	D48	50	13	200-240 Δ /345-415Y	46.8 Δ /27.0Y	430/600	9.5	76	142
RS-830-36	D49	50	20	200-240 Δ /345-415Y	66.7 Δ /38.6Y	450/700	9.6	76	160
RS-840-16	D50	50	7.5	200-240 Δ /345-415Y	31.5 Δ /18.2Y	180/145	14.2	76	110
RS-840-26	D51	50	13	200-240 Δ /345-415Y	46.8 Δ /27.0Y	250/250	14.2	76	140
RS-840-36	D52	50	20	200-240 Δ /345-415Y	66.7 Δ /38.6Y	300/300	14.2	76	160
RS-930-26	D53	50	13	200-240 Δ /345-415Y	46.8 Δ /27.0Y	280/235	19.2	76	161
RS-930-36	D54	50	20	200-240 Δ /345-415Y	66.7 Δ /38.6Y	360/350	19.2	76	184
RS-930-46	D55	50	25	200-240 Δ /345-415Y	88.5 Δ /51.0Y	440/550	19.2	76	201
RS-940-26	D56	50	13	200-240 Δ /345-415Y	46.8 Δ /27.0Y	130/100	35.8	75	185
RS-940-36	D57	50	20	200-240 Δ /345-415Y	66.7 Δ /38.6Y	200/160	35.8	75	208
RS-940-46	D58	50	25	200-240 Δ /345-415Y	88.5 Δ /51.0Y	300/260	35.8	75	225

附註 / Remark :上述資料供參考，若有不同以實品為主。 Information above is for reference, product only when different.

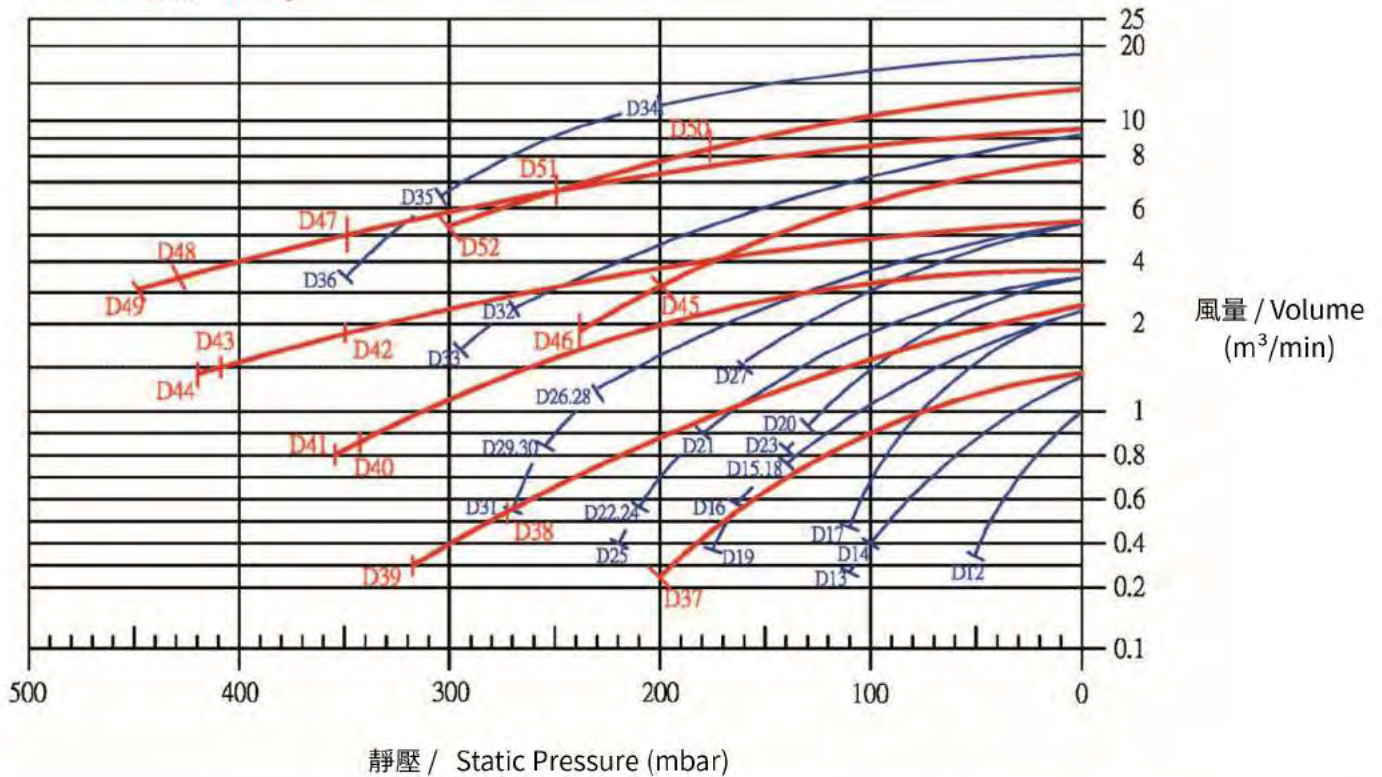




50Hz 三相曲線圖 / Three Phase Curve

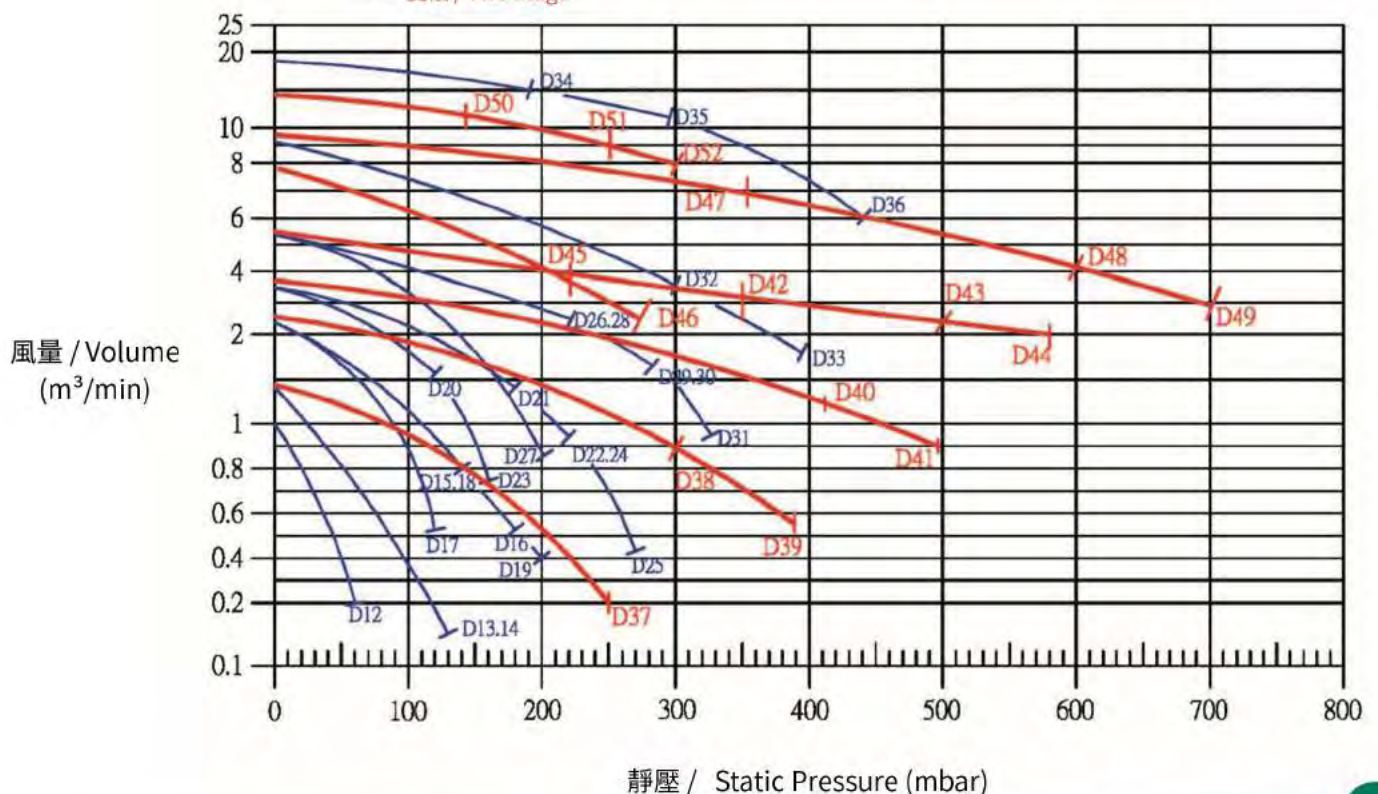
50Hz 吸 / Vacuum

- 單段 / Single Stage
- 雙段 / Two Stage



50Hz 吐 / Compressor

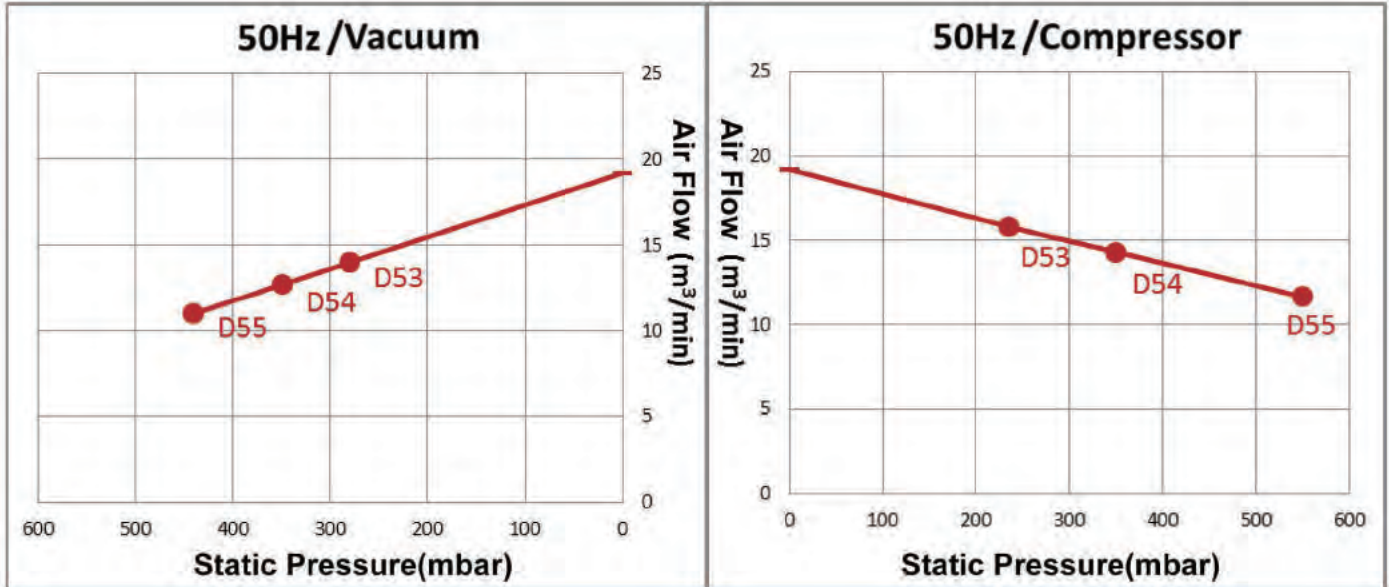
- 單段 / Single Stage
- 雙段 / Two Stage



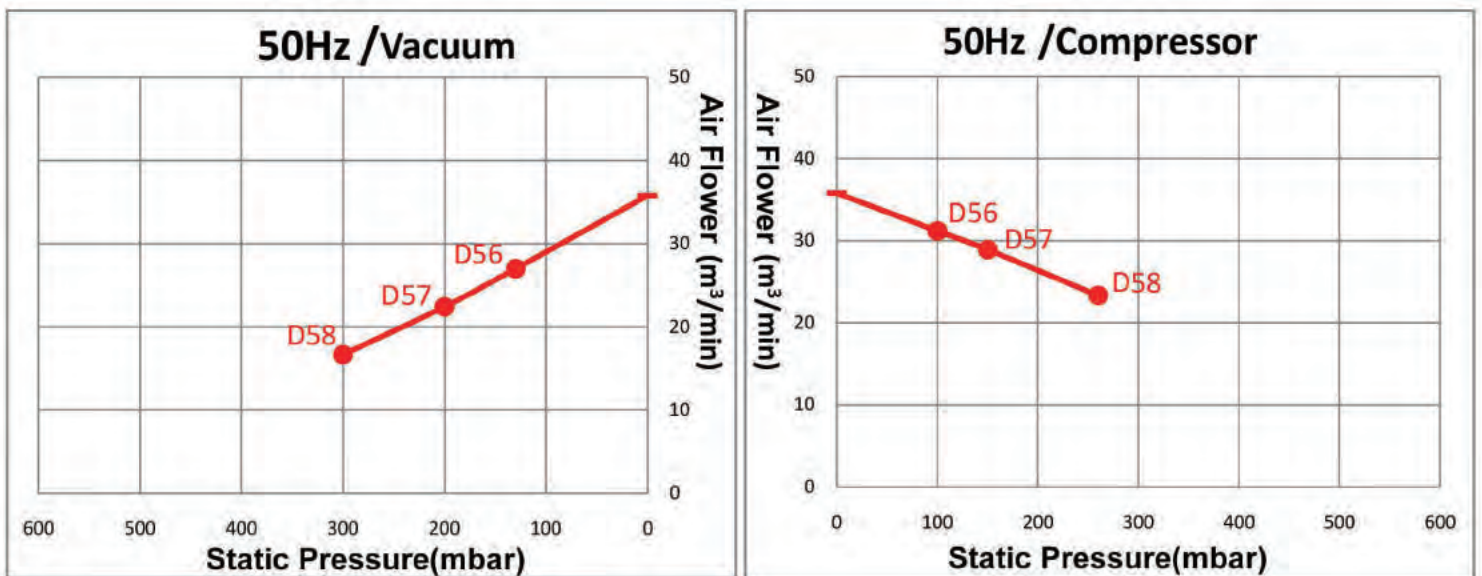


50Hz 三相曲線圖 / Three Phase Curve

RS-930 Series



RS-940 Series







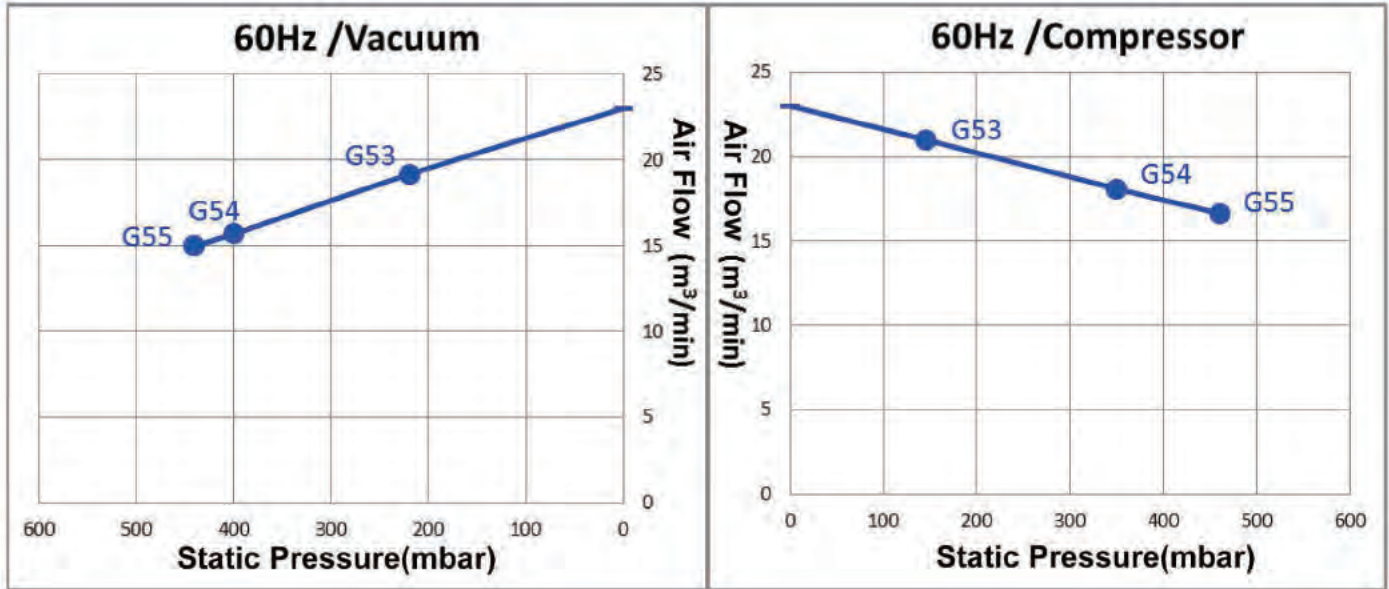
型號 Model	曲線編號 Curve No.	頻率 Frequency (Hz)	功率 Output (kW)	電壓 Voltage (V)	滿載額定電流 Current (A)	靜壓 Static pressure 吸 Vacuum/ 吐 Compressor (mbar)	最大風量 Max Airflow (m³/min)	噪音 Noise (dB)A	重量 Weight (Kg)
RS-100-16	G12	60	0.20	220-275 Δ /380-480Y	1.0 Δ /0.64Y	70/70	1.2	55	6.5
RS-200-16	G13	60	0.50	220-275 Δ /380-480Y	2.30 Δ /1.30Y	140/160	1.8	61	11.0
RS-200-16W	G14	60	0.50	220-275 Δ /380-480Y	2.30 Δ /1.30Y	140/150	1.8	61	11.5
RS-300-16	G15	60	0.85	220-275 Δ /380-480Y	3.90 Δ /2.25Y	140/140	3.1	64	14.0
RS-300-26	G16	60	1.10	220-275 Δ /380-480Y	4.50 Δ /2.60Y	180/180	3.1	64	15.0
RS-300-16B	G17	60	0.85	220-275 Δ /380-480Y	3.60 Δ /2.10Y	140/140	3.1	64	14.0
RS-300-16W	G18	60	0.85	220-275 Δ /380-480Y	3.90 Δ /2.25Y	140/140	3.1	64	14.5
RS-300-36	G19	60	1.50	220-275 Δ /380-480Y	5.25 Δ /3.00Y	205/230	3.1	64	16.0
RS-400-16	G20	60	1.10	220-275 Δ /380-480Y	4.50 Δ /2.60Y	120/110	4.4	73	20.5
RS-400-26	G21	60	1.50	220-275 Δ /380-480Y	6.00 Δ /3.50Y	170/160	4.4	73	22.0
RS-400-36	G22	60	1.90	220-275 Δ /380-480Y	7.00 Δ /4.00Y	200/200	4.4	73	23.0
RS-400-36B	G23	60	1.90	220-275 Δ /380-480Y	7.00 Δ /4.00Y	160/180	4.4	73	23.0
RS-400-36W	G24	60	1.90	220-275 Δ /380-480Y	7.00 Δ /4.00Y	200/200	4.4	73	23.5
RS-400-46	G25	60	2.60	220-275 Δ /380-480Y	9.50 Δ /5.50Y	255/290	4.4	73	26.0
RS-600-16	G26	60	2.60	220-275 Δ /380-480Y	10.7 Δ /6.20Y	220/200	6.5	77	32.0
RS-600-16B	G27	60	2.60	220-275 Δ /380-480Y	10.7 Δ /6.20Y	195/200	6.5	77	32.0
RS-600-16W	G28	60	2.60	220-275 Δ /380-480Y	10.7 Δ /6.20Y	220/200	6.5	77	32.5
RS-600-26	G29	60	3.70	220-275 Δ /380-480Y	13.5 Δ /7.80Y	280/270	6.5	77	34.0
RS-600-26W	G30	60	3.70	220-275 Δ /380-480Y	13.5 Δ /7.80Y	280/270	6.5	77	35.5
RS-600-36	G31	60	4.60	220-275 Δ /380-480Y	16.2 Δ /9.30Y	315/320	6.5	77	37.0
RS-800-16	G32	60	6.30	220-275 Δ /380-480Y	29.5 Δ /17.0Y	290/270	11.3	79	77.0
RS-800-26	G33	60	8.60	220-275 Δ /380-480Y	37.0 Δ /21.3Y	350/395	11.3	79	88.0
RS-900-16	G34	60	11.00	220-275 Δ /380-480Y	37.0 Δ /21.4Y	180/170	22.4	81	100.0
RS-900-26	G35	60	15.00	220-275 Δ /380-480Y	51.5 Δ /29.8Y	280/270	22.4	81	112.0
RS-900-36	G36	60	22.00	220-275 Δ /380-480Y	76.0 Δ /44.0Y	365/420	22.4	81	159.0
RS-230-16	G37	60	0.85	220-275 Δ /380-480Y	3.60 Δ /2.08Y	245/245	1.8	67	17.0
RS-330-16	G38	60	1.90	220-275 Δ /380-480Y	7.00 Δ /4.00Y	300/300	3.1	69	25.0
RS-330-26	G39	60	2.60	220-275 Δ /380-480Y	9.50 Δ /5.50Y	350/420	3.1	69	28.0
RS-430-16	G40	60	3.70	220-275 Δ /380-480Y	13.5 Δ /7.80Y	370/350	4.4	77	40.0
RS-430-26	G41	60	4.60	220-275 Δ /380-480Y	16.2 Δ /9.30Y	410/475	4.4	77	43.0
RS-630-26	G42	60	4.60	220-275 Δ /380-480Y	18.2 Δ /10.5Y	350/350	6.5	79	55.0
RS-630-36	G43	60	6.30	220-275 Δ /380-480Y	26.5 Δ /15.3Y	420/500	6.5	79	72.0
RS-630-46	G44	60	8.60	220-275 Δ /380-480Y	37.0 Δ /21.3Y	450/675	6.5	79	82.0
RS-640-36	G45	60	6.30	220-275 Δ /380-480Y	26.5 Δ /15.3Y	180/170	9.5	79	72.0
RS-640-46	G46	60	8.60	220-275 Δ /380-480Y	37.0 Δ /21.3Y	260/260	9.5	79	82.0
RS-830-16	G47	60	8.60	220-275 Δ /380-480Y	37.0 Δ /21.3Y	290/290	11.3	81	112.0
RS-830-26	G48	60	15.00	220-275 Δ /380-480Y	52.0 Δ /30.0Y	450/600	11.3	81	142.0
RS-830-36	G49	60	22.00	220-275 Δ /380-480Y	76.0 Δ /44.0Y	470/780	11.3	81	160.0
RS-840-16	G50	60	8.60	220-275 Δ /380-480Y	37.0 Δ /21.3Y	110/110	16.5	81	110.0
RS-840-26	G51	60	15.00	220-275 Δ /380-480Y	52.0 Δ /30.0Y	230/200	16.5	81	140.0
RS-840-36	G52	60	22.00	220-275 Δ /380-480Y	76.0 Δ /44.0Y	300/280	16.5	81	160.0
RS-930-26	G53	60	15.00	220-275 Δ /380-480Y	51.5 Δ /29.8Y	220/145	23.0	84	161.0
RS-930-36	G54	60	22.00	220-275 Δ /380-480Y	76.0 Δ /44.0Y	400/350	23.0	84	184.0
RS-930-46	G55	60	29.00	220-275 Δ /380-480Y	92.0 Δ /53.2Y	440/460	23.0	84	201.0
RS-940-26	G56	60	15.00	220-275 Δ /380-480Y	51.5 Δ /29.8Y	950/650	43.0	84	185.0
RS-940-36	G57	60	22.00	220-275 Δ /380-480Y	76.0 Δ /44.0Y	190/160	43.0	84	208.0
RS-940-46	G58	60	29.00	220-275 Δ /380-480Y	92.0 Δ /53.2Y	270/220	43.0	84	225.0



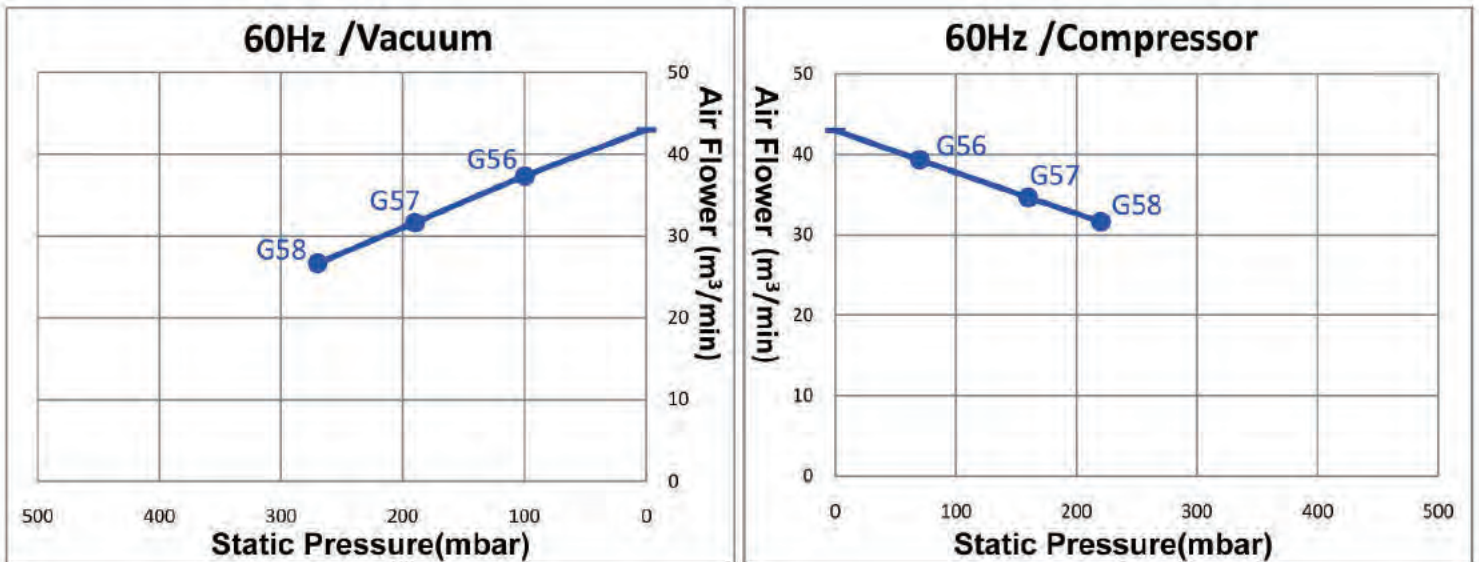


60Hz 三相曲線圖 / Three Phase Curve

RS-930 Series



RS-940 Series



附註 / Remark :

- 1.上述資料供參考，若有不同以實品為主。  
Information above is for reference, product only when different.
- 2.本公司保有設計變更之權利，恕不另行通知。  
We reserve the right to change the design without notice.
- 3.如有任何疑問請洽經銷商或本公司。  
Should you require any further information or assistance, please do not hesitate to contact us or distributors.

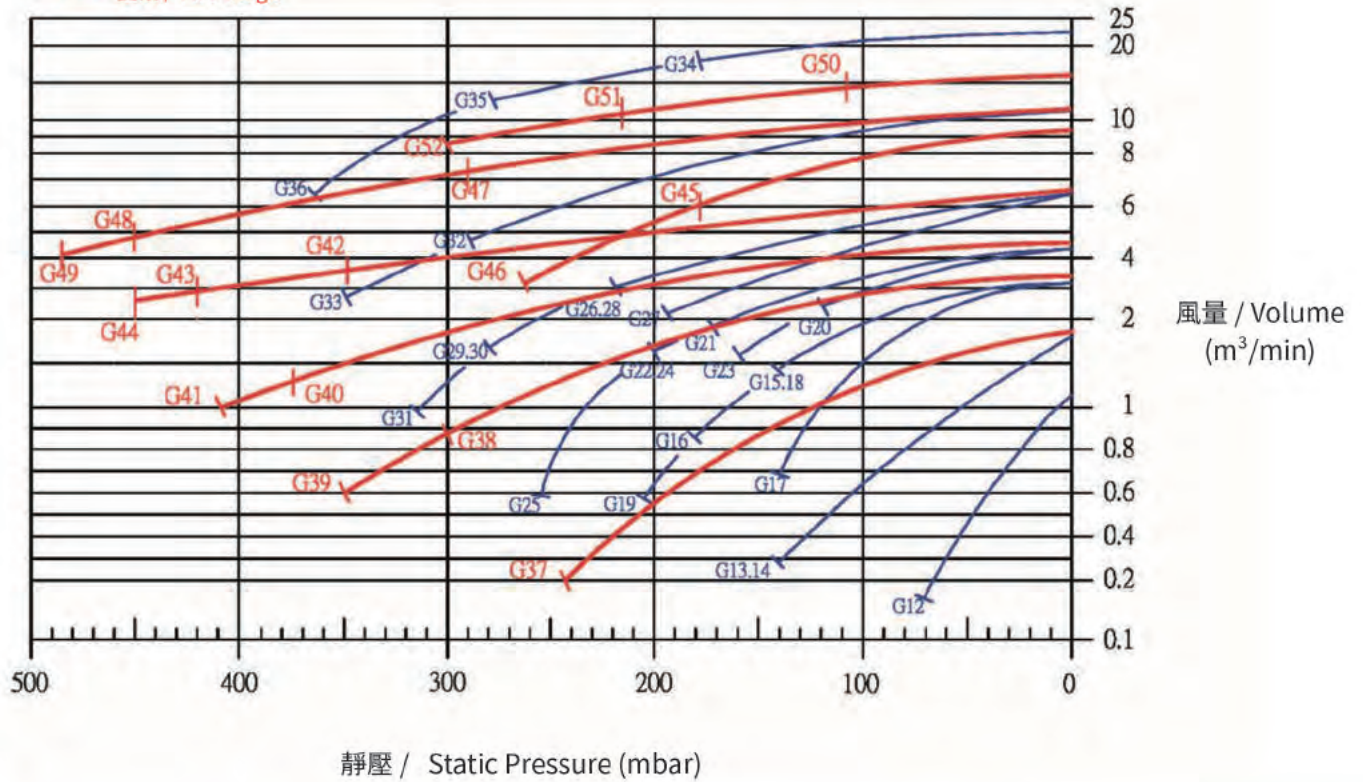




60Hz 三相曲線圖 / Three Phase Curve

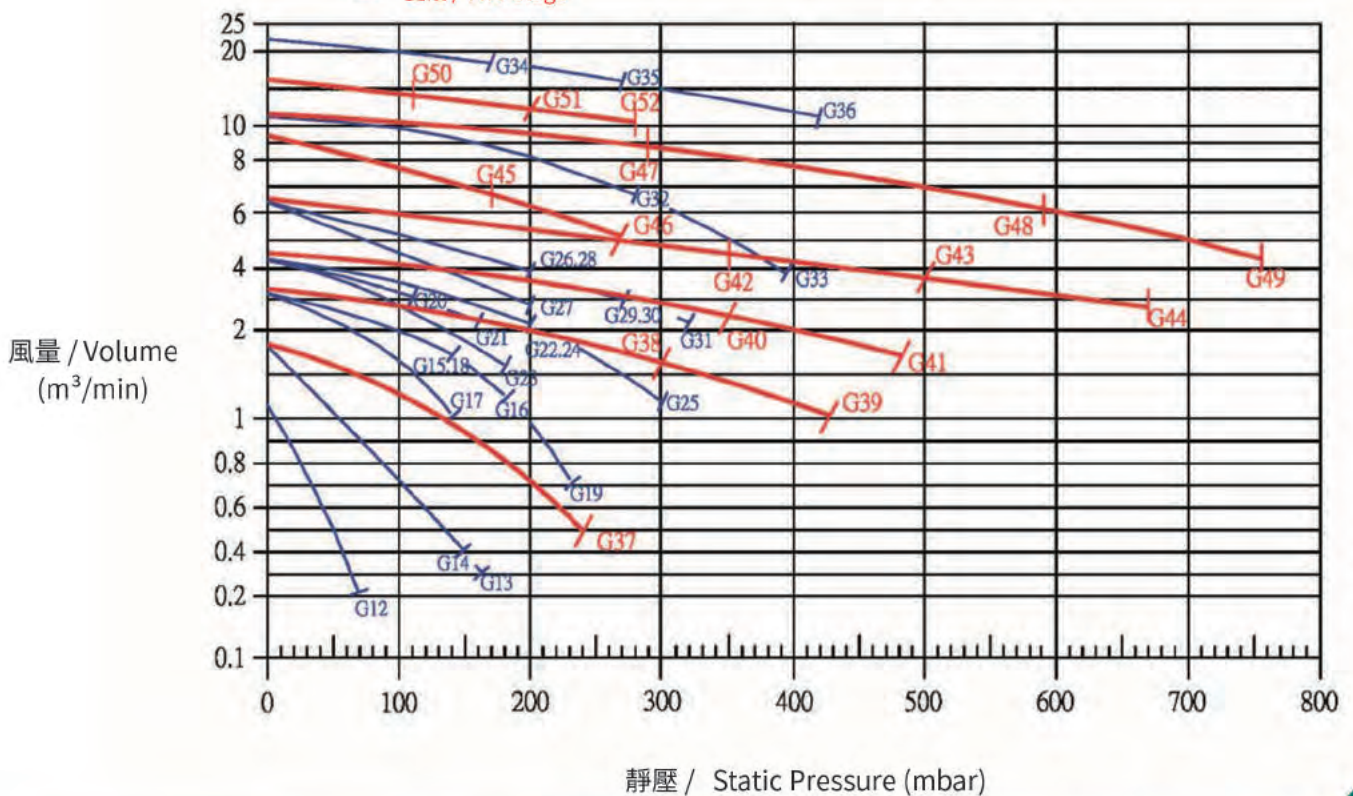
60Hz 吸 / Vacuum

- 單段 / Single Stage
- 雙段 / Two Stage



60Hz 吐 / Compressor

- 單段 / Single Stage
- 雙段 / Two Stage

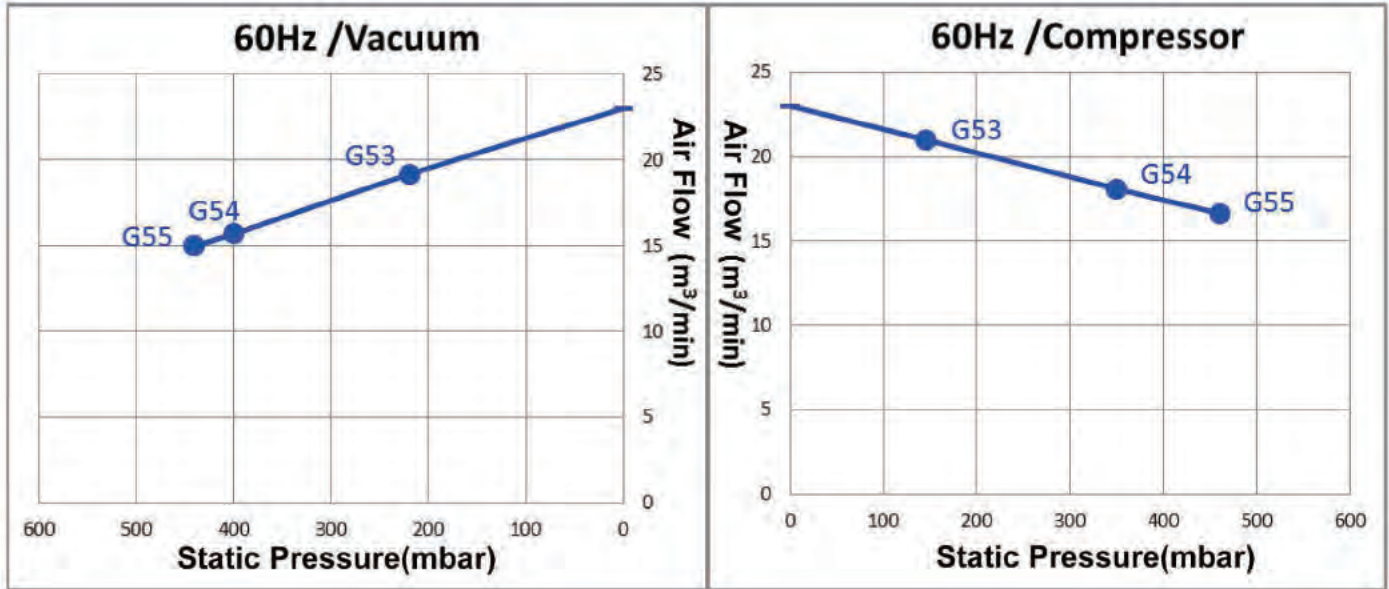




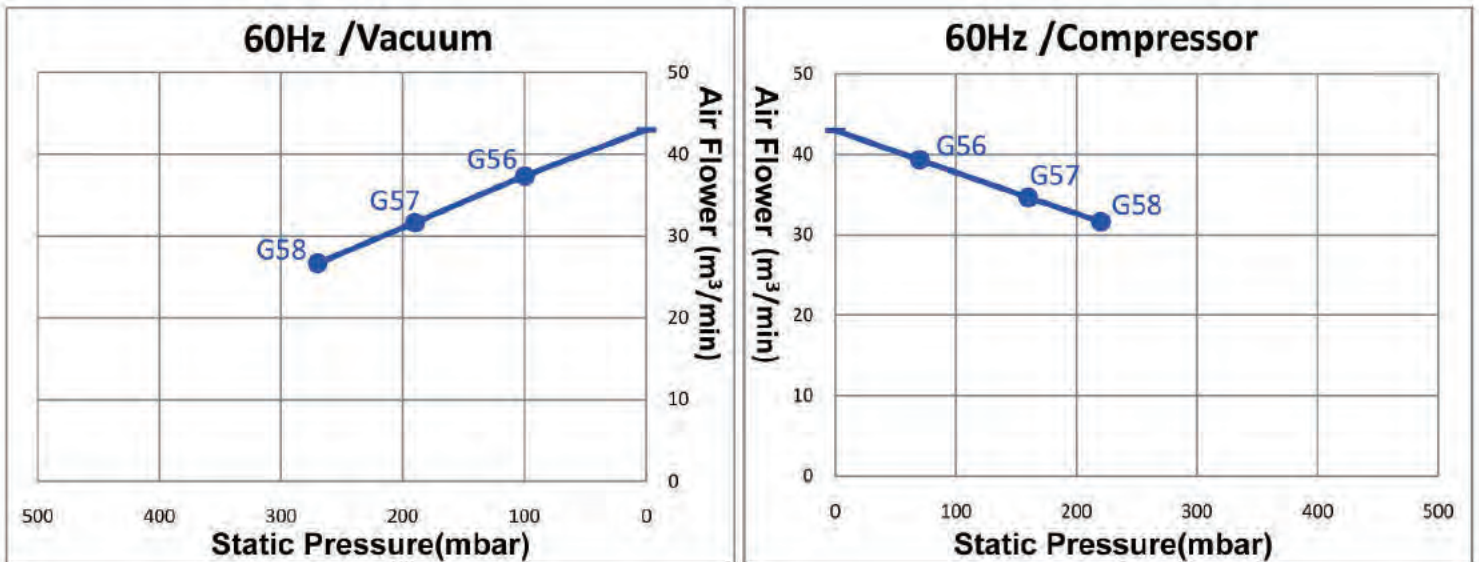


60Hz 三相曲線圖 / Three Phase Curve

RS-930 Series



RS-940 Series



附註 / Remark :

1.上述資料供參考，若有不同以實品為主。  
Information above is for reference, product only when different.

2.本公司保有設計變更之權利，恕不另行通知。  
We reserve the right to change the design without notice.

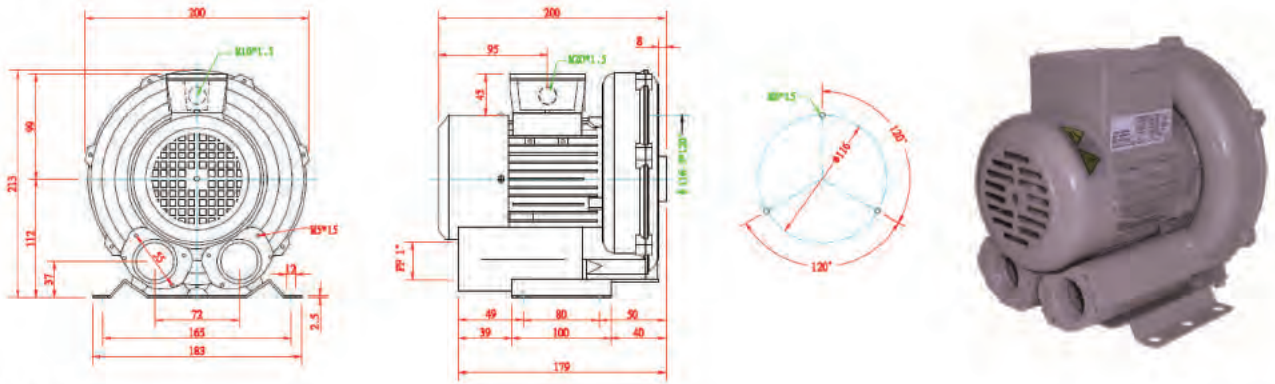
3.如有任何疑問請洽經銷商或本公司。  
Should you require any further information or assistance, please do not hesitate to contact us or distributors.



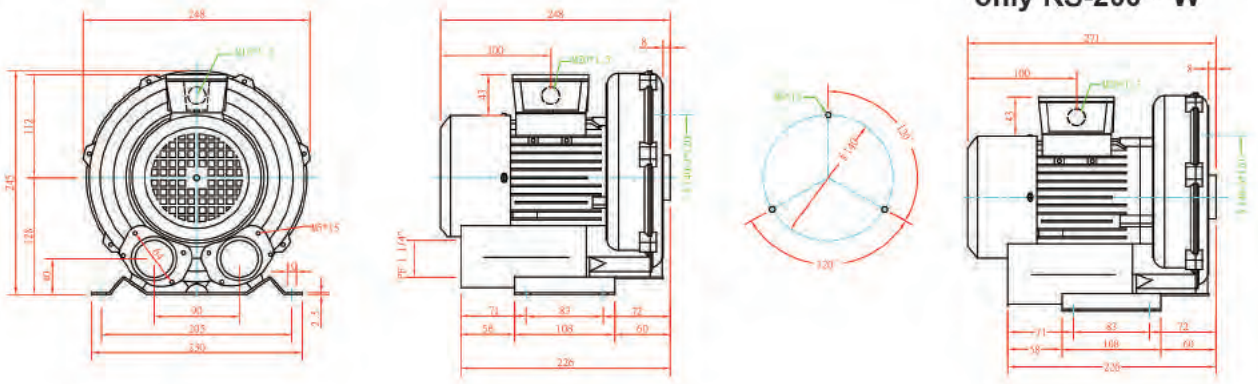


## 鼓風機之尺寸表 / Dimensions

### RS-100系列

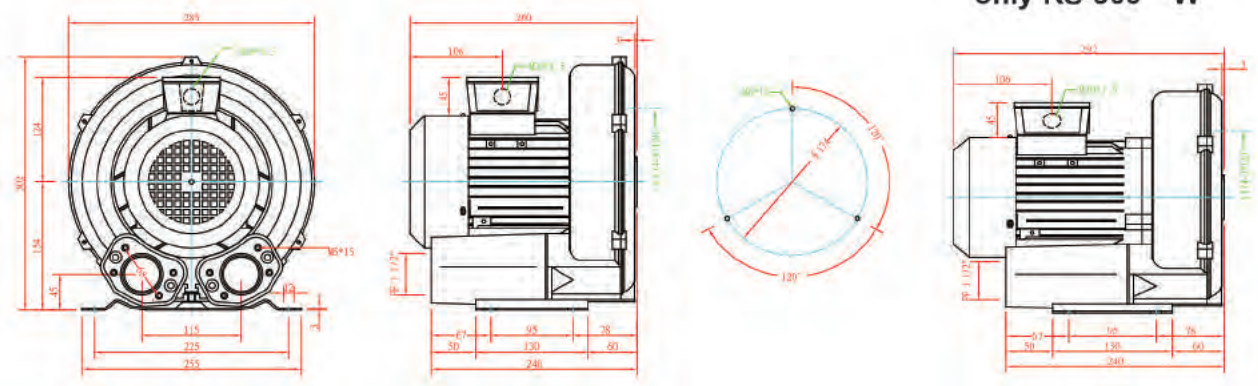


### RS-200系列



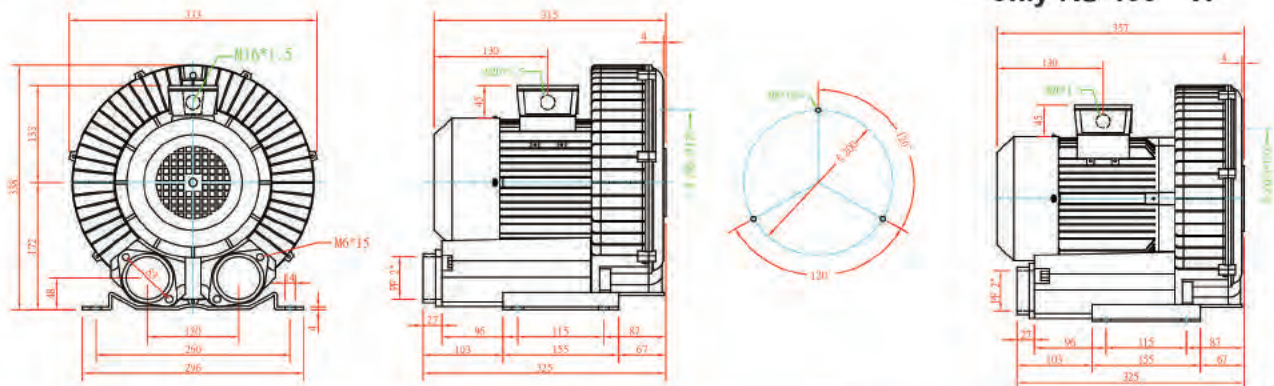
only RS-200 \*\*W

### RS-300系列



only RS-300 \*\*W

### RS-400系列



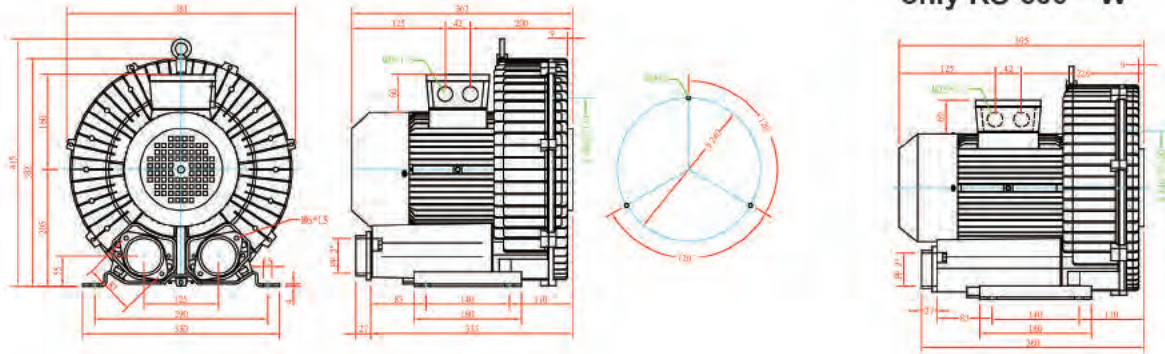
only RS-400 \*\*W



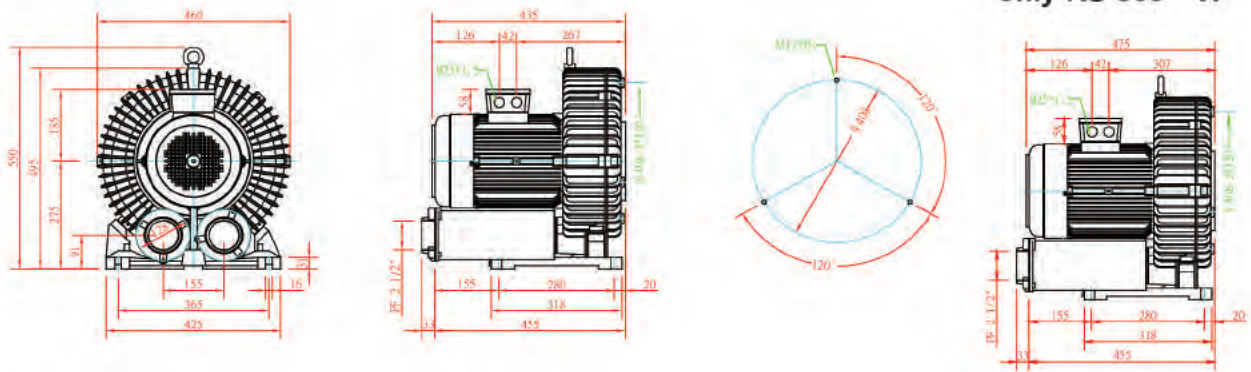


### 鼓風機之尺寸表 / Dimensions

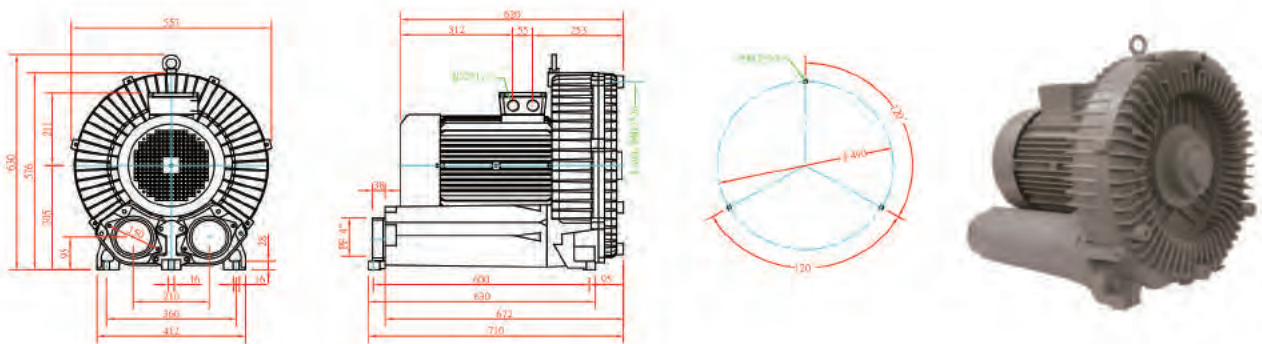
#### RS-600系列



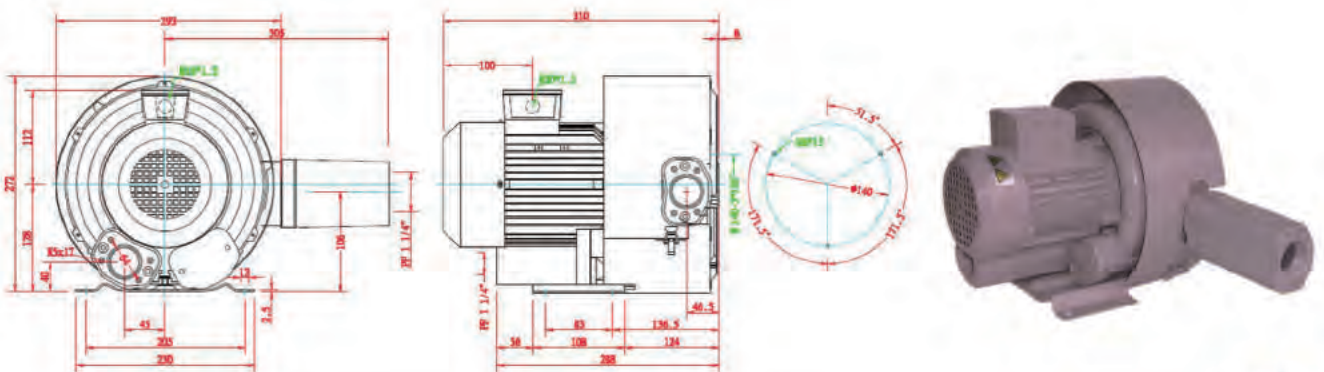
#### RS-800系列



#### RS-900系列



#### RS-230系列

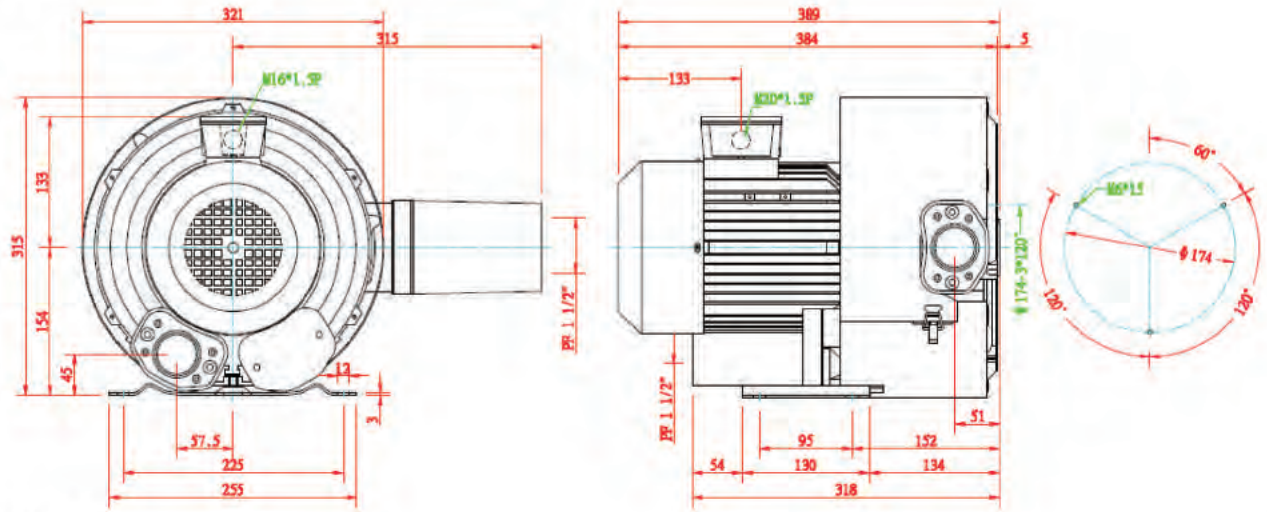




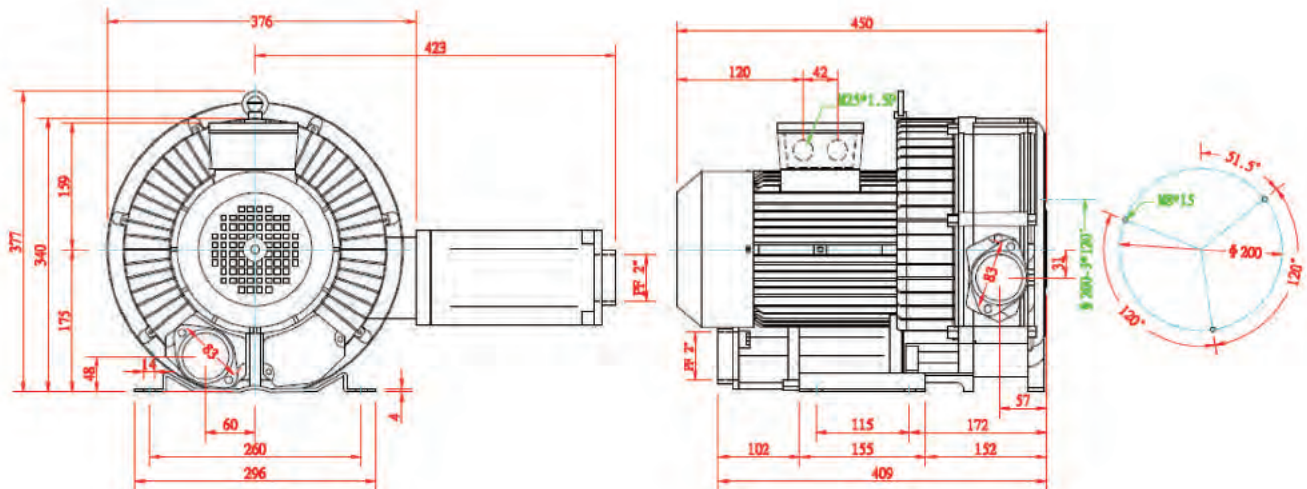


鼓風機之尺寸表 / Dimensions

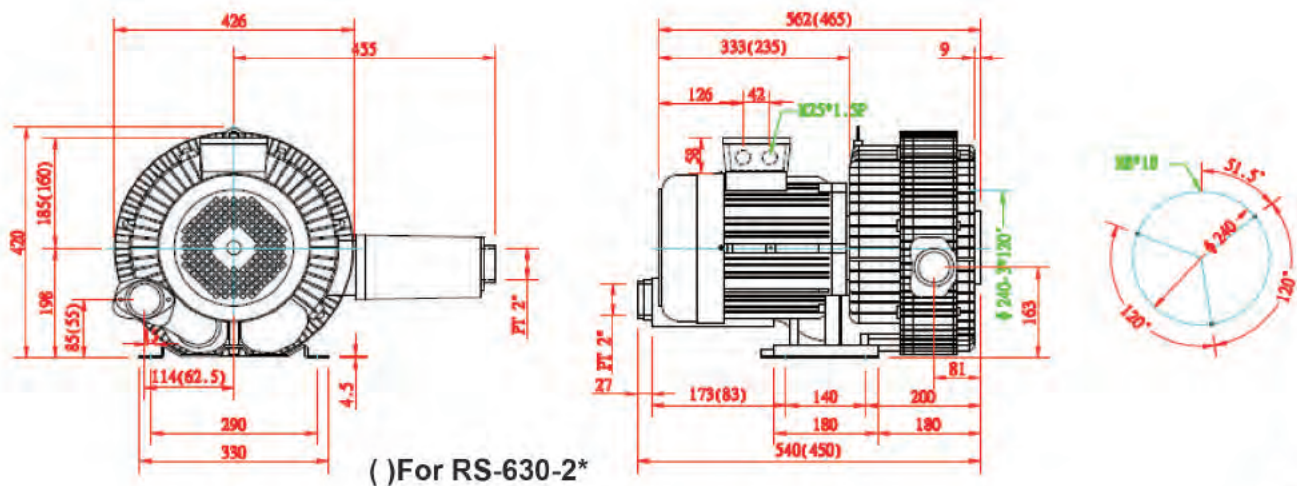
RS-330系列



RS-430系列



RS-630系列

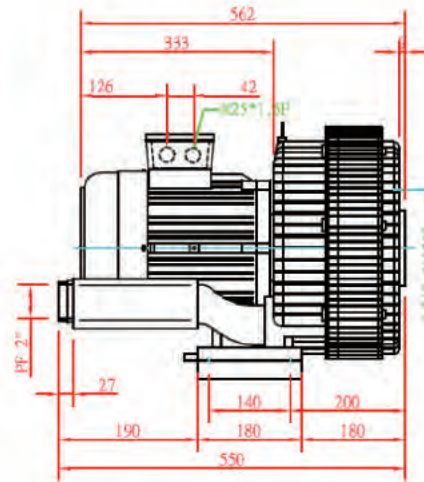
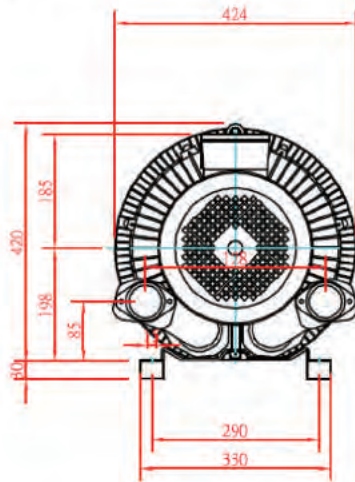




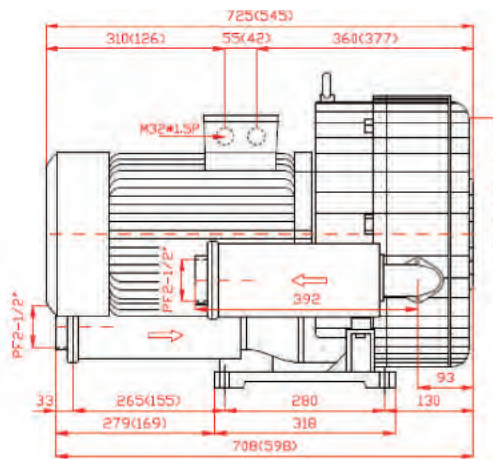
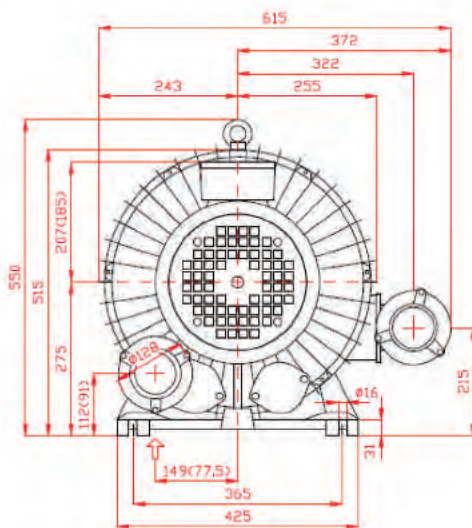


鼓風機之尺寸表 / Dimensions

RS-640系列

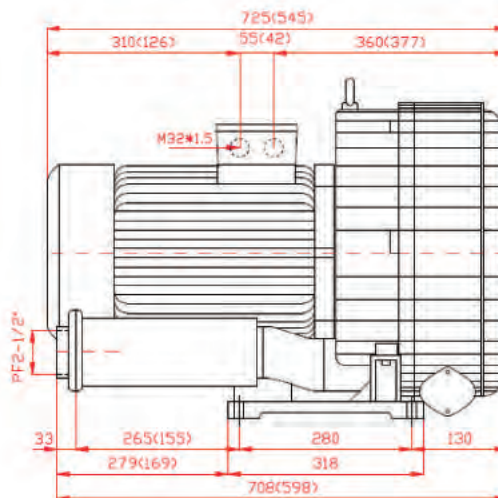
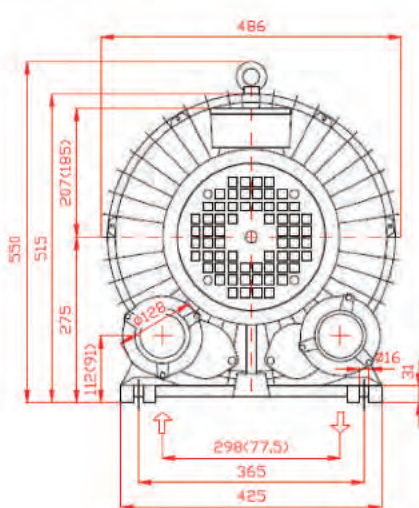


RS-830系列



( )For RS-830-1\*

RS-840系列



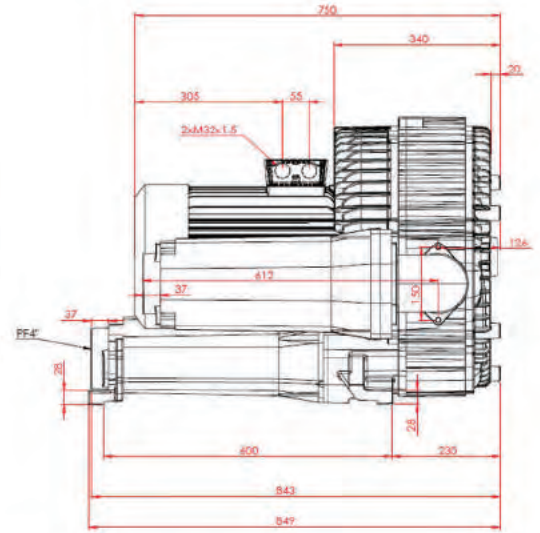
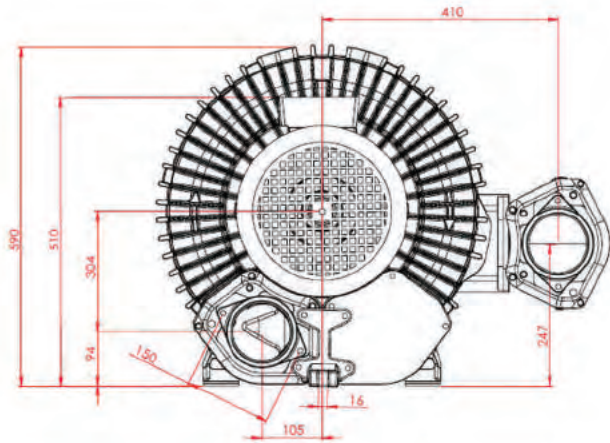
( )For RS-840-1\*



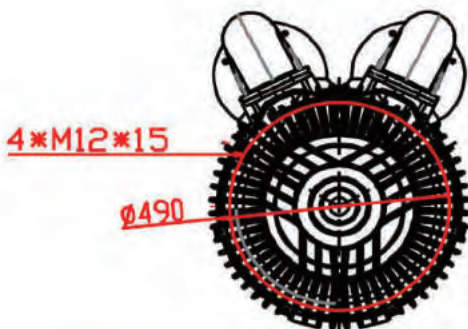
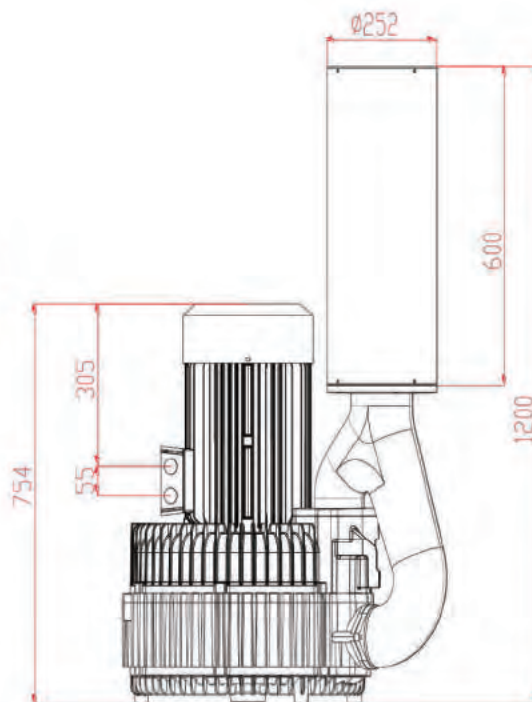
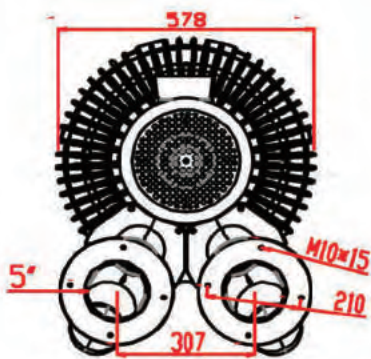


鼓風機之尺寸表 / Dimensions

RS-930系列



RS-940系列

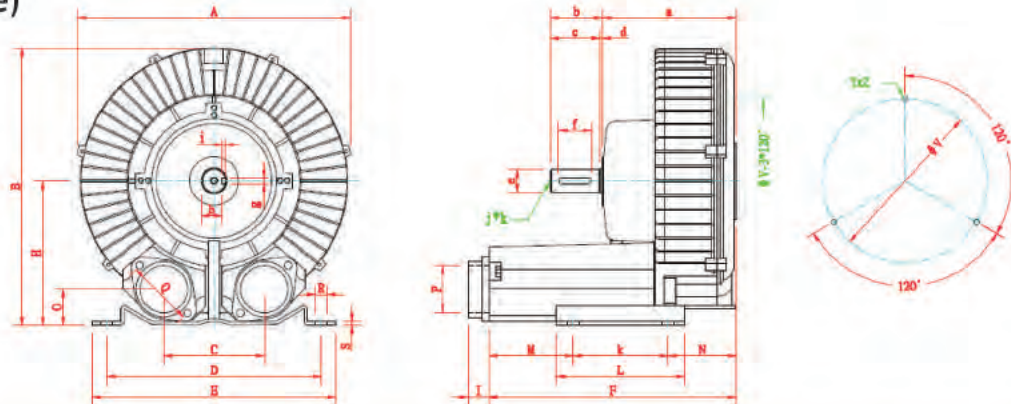






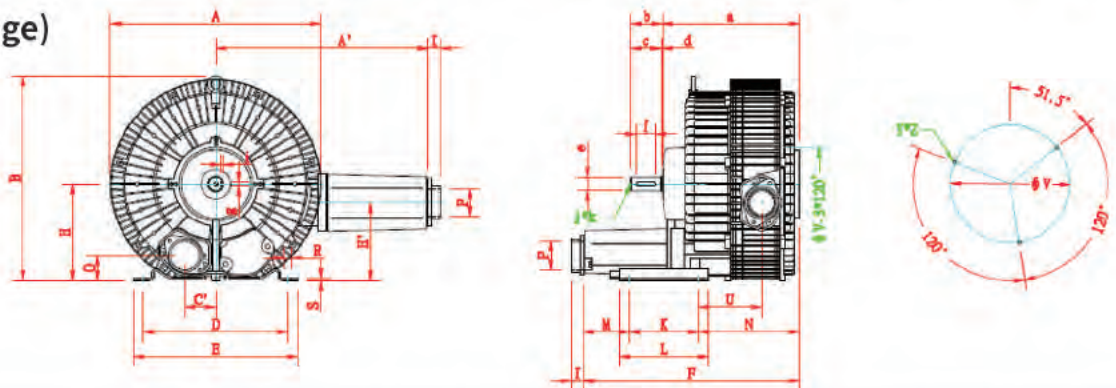
皮帶式 V-belt Blower

單段式 (Single Stage)



MODEL	A	B	C	D	E	F	H	I	K	L	M	N	O	P	Q
RS-200-0	248	245	90	205	230	226	128	-	83	108	71	72	40	PF 1 1/4"	64
RS-300-0	285	302	115	225	255	240	154	-	95	130	67	78	45	PF 1 1/2"	68
RS-400-0	333	338	120	260	296	298	172	27	115	155	96	87	48	PF 2"	83
RS-600-0	381	415	125	290	330	333	205	27	140	180	83	110	55	PF 2"	83
RS-800-0	460	550	155	365	425	455	275	33	280	318	155	20	91	P F 2 1/T	Φ 128
RS-900-0	557	630	210	360	412	672	305	38	600	630	-	95	95	PF 4"	150
MODEL	R	S	Φ V	V-HOLE	Y*Z	a	b	c	d	e	f	g	h	i	j*k
RS-200-0	Φ10	2.5	Φ140	0° /120° /240°	M6*15	117	53	50	3	24	40	8	20	4.0	M8*20
RS-300-0	Φ12	3	Φ174	0° /120° /240°	M6*15	113	53	50	3	24	40	8	20	4.0	M8*20
RS-400-0	Φ14	4	Φ200	0° /120° /240°	M8*15	162.5	63	60	3	28	40	8	24	4.0	M8*20
RS-600-0	Φ15	4.5	Φ240	0° /120° /240°	M8*15	179.5	63	60	3	28	40	8	24	4.0	M8*20
RS-800-0	16	31	Φ408	0° /120° /240°	M12*15	268	83	80	3	42	60	10	38	4.0	M10*30
RS-900-0	16	28	Φ490	0° /120° /240°	M12*20	303.5	113	110	3	42	90	14	37.5	4.5	M10*30

雙段式 (Double Stage)



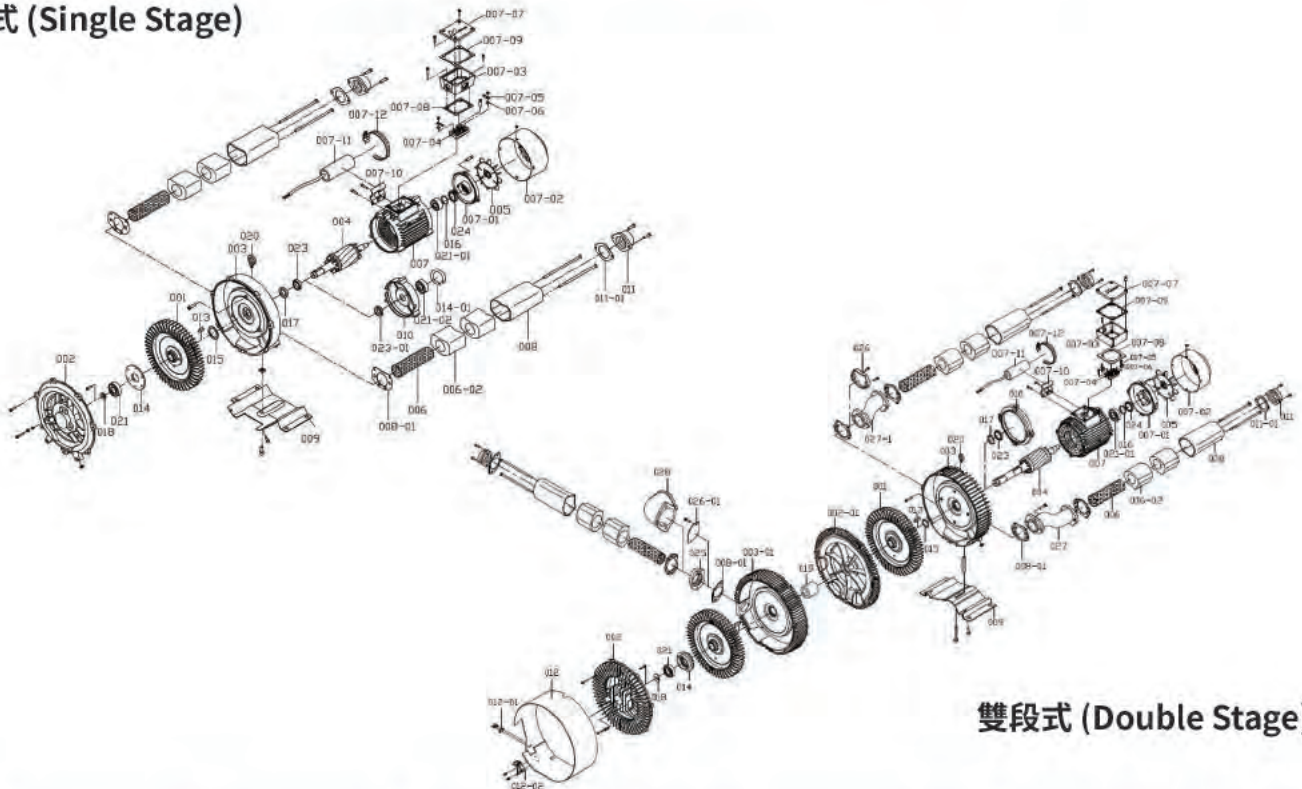
MODEL	A	A'	B	C'	D	E	F	H	H'	I	K	L	M	N	O	P	
RS-230-0	284	305	272	45	205	230	288	128	106	-	83	108	71	136.5	40	PF 1 1/4"	
RS-330-0	321	315	315	57.5	225	255	318	152	152	-	95	130	67	152	45	PF 1 1/2"	
RS-430-0	364	396	377	60	260	296	382	175	144	27	115	155	96	172	48	PF 2"	
RS-630-0	424	428	420	62.5	290	330	423	205	163	27	140	180	83	200	55	PF 2"	
RS-830-0	486	372	550	77.5	365	425	565	275	215	33	280	318	155	130	91	PF 2 1/2"	
MODEL	Q	R	S	U	V	V-HOLE	Y*Z	a	b	c	d	e	f	ri	h	i	j*k
RS-230-0	64	Φ10	2.5	90	Φ140	51.5° /171.5° /291.5°	M6*15	180	53	50	3	24	40	8	20	4	M8*20
RS-330-0	68	Φ12	3	101	Φ174	60° /180° /300°	M6*15	189	53	50	3	24	40	8	20	4	M8*20
RS-430-0	83	Φ14	4	115	Φ200	51.5° /171.5° /291.5°	M8*15	248	63	60	3	28	40	8	24	4	M8*20
RS-630-0	83	Φ15	4.5	119	Φ240	51.5° /171.5° /291.5°	M8*15	275.5	63	60	3	28	40	8	24	4	M8*20
RS-830-0	Φ128	16	31	37	Φ408	51.5° /171.5° /291.5°	M12*15	376.5	83	80	3	42	60	10	38	4	M10*30





## 鼓風機之零件圖 Parts Illustration

### 單段式 (Single Stage)



### 雙段式 (Double Stage)

編號 ITEM	零件名稱 PARTS NAME	編號 ITEM	零件名稱 PARTS NAME	編號 ITEM	零件名稱 PARTS NAME
1	風葉 Impeller	007-08	配線盒墊片 Terminal box washer	15	風葉墊片 Washer
002	風蓋 Compressor cover	007-09	配線盒蓋墊片 Terminal cover washer	16	波浪墊片 Ware washer
002-01	中風蓋 Middle compressor cover	007-10	電容器固定片 Capacitor washer	17	羊毛氈 Cotton seal
003	風桶 Compressor housing	007-11	電容器 Capacitor	18	前軸承墊片 Washer
003-01	中風桶 Middle compressor housing	007-12	管束 Steel clip	20	吊環 Bronze ring
004	轉子 Rotor	008	腳管 Silencer housing	21	前軸承 Front bearing
005	散熱葉 Fan	008-01	腳管墊片 Silencer washer	021-01	後軸承 Rear bearing
006	消音鐵網 Silencer mesh pipe	009	腳座 Mounting plate	021-02	前軸承 Front bearing
006-02	消音海綿 Silencer sponge	010	馬達中蓋 Middle motor cover	023	前軸封 Front oil seal
007	馬達 Motor	011	牙口 Inlet/outlet	023-01	軸封 VA-seal
007-01	馬達後蓋 Motor cover	011-01	牙口墊片 Inlet/outlet washer	024	後軸封 Rear oil seal
007-02	散熱鐵蓋 Fan cover	012	外觀鐵片 Protection steel skin	025	腳管固定座 Silencer socket
007-03	配線盒 Terminal box	012-01	上箱扣 Buckle (up)	026	出口封蓋 Outlet cover
007-04	配線端子 Wire socket	012-02	下箱扣 Buckle (down)	026-01	封蓋 Cover
007-05	銅片 Wire connection slice	013	鍵 Rotor pin	027	彎管 Extend pipe
007-06	壓板 Fixed slice	014	前軸承固定片 Bearing washer	027-1	彎管 Extend pipe
007-07	配線盒蓋 Terminal cover	014-01	軸承C型扣環 Bearing washer	028	90° 彎管 90° extend pipe

\*訂購時請告知型號+零件編號 (例如:RS-600-26+002)

\*Please notify model+parts item when you purchase.

\*本公司保有設計變更之權利，恕不另行通知。

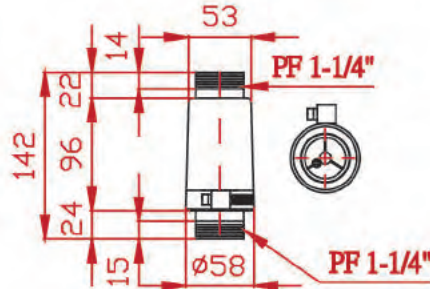
\*We reserve the right to change the design without notice.



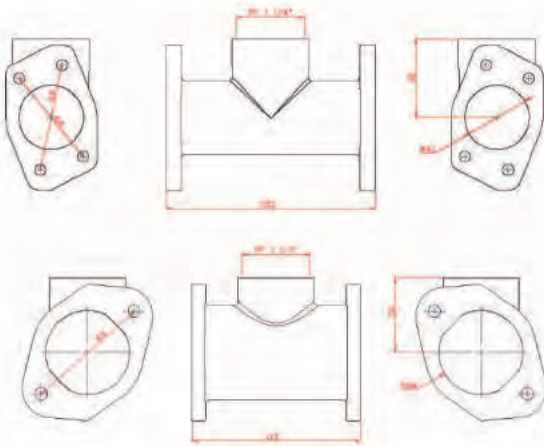


鼓風機配件表 Accessories

釋壓閥 / Pressure Relief Valve			
型號 Type	口徑/PF	L (mm)	規則 Dimension
RV-01	1 1/4"	142	0~3000mmAq
RV-02	1 1/4"	142	0~6000mmAq

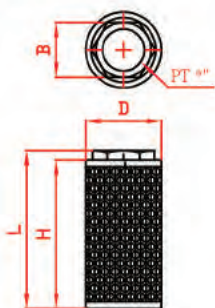


三通管/ Tee Pipe (mm)	
型號 Type	適用機型 Application
TP-01	RS-200,230,300,330系列(Series)
TP-02	RS-400,430,600,630,640系列(Series)



TP-01

TP-02



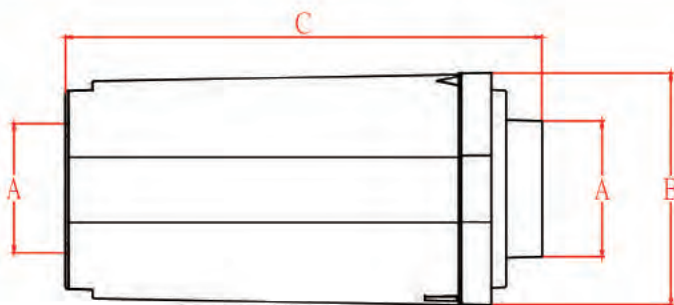
MF型過濾器 / MF Type Suction Filter								
型號 type	符號 Symbol	口徑 PT	D (mm)	L (mm)	H (mm)	B (mm)	過濾精度(目) Filtration mesh	重量(kg) Weight
MF-08		1"	58	170	155	42	100	0.20
MF-10		1 1/4"	71	186	170	54	100	0.35
MF-12		1 1/2"	85	196	182	65	100	0.49
MF-16		2"	103	215	202	75	100	0.65
MF-20		2 1/2"	148	274	252	97	100	1.20
MF-32		4"	208	380	357	142	100	2.45



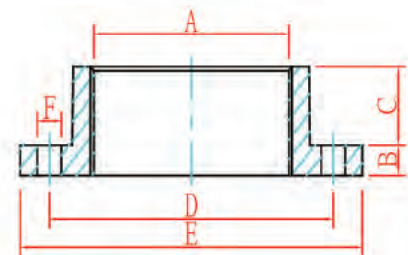


鼓風機配件表 Accessories

消音器				
符號 type	型號 Symbol	A	B (mm)	C (mm)
SI-01	PF 1 1/4"		83	180
SI-02	PF 1 1/2"		98	180
SI-03	PF 2"		117	266
SI-04	PF 2 1/2"		145	325



牙口 / Threaded Flange (mm)							
符號 type	型號 Symbol	A	B	C	D	E	F
2-011	PF 1 1/4"	7	22	64	79	6	
3-011	PF 1 1/2"	7	24	68	86	6	
6-011	PF 2"	7	18	83	100	7	
8-011	PF 2 1/2"	15	16	Φ128	144	7	
9-011	PF 4"	8	22	150	170	9	

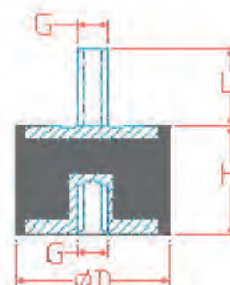


附註 / Remark : 1.Option item for RS-100, RS-200, RS-300  
2.Standard item start from RS-400

防震腳電供垂直或水平安裝

Footprint dimensions for vertical/horizontal mounting (mm)

型號 Type	D	H	G	L
MFB2520	25	20	M6	12
MFB3025	30	25	M8	15
MFB7540	75	40	M12	20
MFB7545	75	45	M12	37



附註 / Remark : 若需要其他配件,請與本公司或經銷商聯絡  
If you need other accessories, please contact us or distributors.





## 單位換算表 Unit Conversion Table

壓力 / Pressure								
mmAq	kg/cm <sup>2</sup>	mmHg	inHg	PSIG (lb/in <sup>2</sup> )	% 真空	Troo	K.pa	mbar
0	0.0	0	0	0	0	760	0	0
500	0.05	37	1.45	0.71	4.8	723	4.90	49
1000	0.1	74	2.89	1.42	9.7	686	9.81	98
1500	0.15	110	4.34	2.13	14.5	650	14.71	147
2000	0.2	147	5.79	2.84	19.3	613	19.61	196
3000	0.3	221	8.68	4.26	29.0	539	29.42	294
5000	0.5	368	14.47	7.10	48.4	392	49.03	490
10000	1.0	735	28.95	14.20	96.7	25	98.07	981
10336	1.0336	760	29.92	14.68	100.0	0	101.36	1014

同/same

mmH<sub>2</sub>O , mmW.g , mmWC , mmWS , kg/m<sup>3</sup>kp , kg.f/m<sup>3</sup> , KP/m<sup>3</sup>

風量 / Air Flow			
m <sup>3</sup> /min	l/min	CFM (ft <sup>3</sup> /min)	in <sup>3</sup> /min
0	0	0	0
0.005	5	0.18	305
0.01	10	0.35	610
0.02	20	0.71	1220
0.05	50	1.77	3051
0.1	100	3.53	6102
0.2	200	7.06	122051
0.5	500	17.65	30512
1.0	1000	35.30	61024
2.0	2000	70.60	122047
5.0	5000	176.50	305119
10.0	1000	353.00	610237

風速 / Air Speed		
m <sup>3</sup> /sec	Km/H	in/sec
0	0	0
1	3.6	39.4
2	7.2	78.7
5	18.0	196.9
10	36.0	393.7
20	72.0	787.4
50	180.0	1968.5
100	360.0	3937.0
200	720.0	7874.0

馬力 Electrical Power		
W	Kw	hp
1	0.001	0.0013
1000	1	1.341
745.7	0.746	1







Single stage / 單段式



RS-100系列 Series



RS-200系列 Series



RS-300系列 Series



RS-400系列 Series



RS-600系列 Series



RS-800系列 Series



RS-900系列 Series



皮帶式系列 V-Belt Series

Double stage / 雙段式



RS-230系列 Series



RS-330系列 Series



RS-430系列 Series



RS-630系列 Series



RS-640系列 Series



RS-830系列 Series



RS-840系列 Series



皮帶式系列 V-Belt Series



# Side Channel Blower



**SUN MINES  
ELECTRICS CO.,LTD**



TEL:+886-2-2662-9292  
FAX:+886-2-2662-7575



[info@sunmines.com.tw](mailto:info@sunmines.com.tw)



7F, No.153, Sec. 3, Beishen Rd,  
Shenkeng Dist, New Taipei City 222, Taiwan

