



Linear Air Pumps

電磁式空氣泵



SUN MINES ELECTRICS CO.,LTD
三敏電機股份有限公司

2016



The Linear Air Pumps works without any sliding parts but only oil-free components, so the air pump requires no lubrication and it delivers the air without any pollution. It can be applied for wastewater aeration, septic tank, fish, shrimp farm of aquaculture aeration, dental suction or ENT suction of medical application, scientific lab. equipment.

Features:

- .Low noise
- .High durability
- .No oil lubrication
- .High efficiency
- .Compact and powerful
- .Smooth air flow
- .Simple maintenance

Certification:



BLOWTAC® standard linear air pumps conform to the European Community's Machinery Directive (CE) and Underwriters Laboratories (UL) certified in compliance to USA and Canada safety standards for household, commercial, and industrial air compressors and vacuum pumps.

Applications:

- . Ozon equipment air supply.
- . Pneumatic rubber boat.
- . Air cleaner.
- . Air bed.
- . Bubble bath.
- . Dental suction.
- . Food and drug processing.
- . Scientific and chemical instruments.
- . Low frequency therapeutic equipment.
- . Oxygen supply for fish tanks and ponds.
- . Waste water treatment aeration and agitation.



Fermenter



Waste water treatment



Air pool



Air bed



Dental suction



Scientific instruments



Oxygen supply for fish tanks and ponds

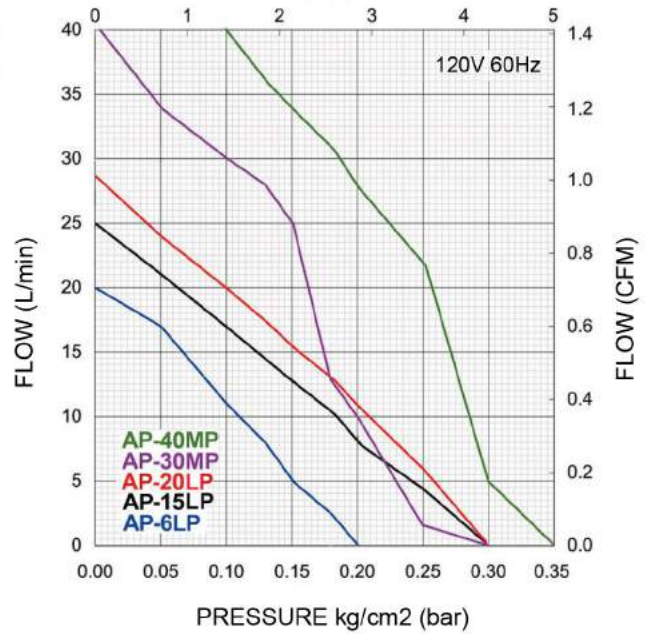


We offer OEM manufacturing with high reliability and stability of performance, efficient and effective satisfaction. Let BLOWTAC linear air pumps be a part of your product solution.



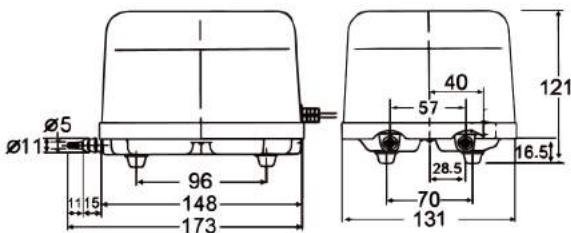
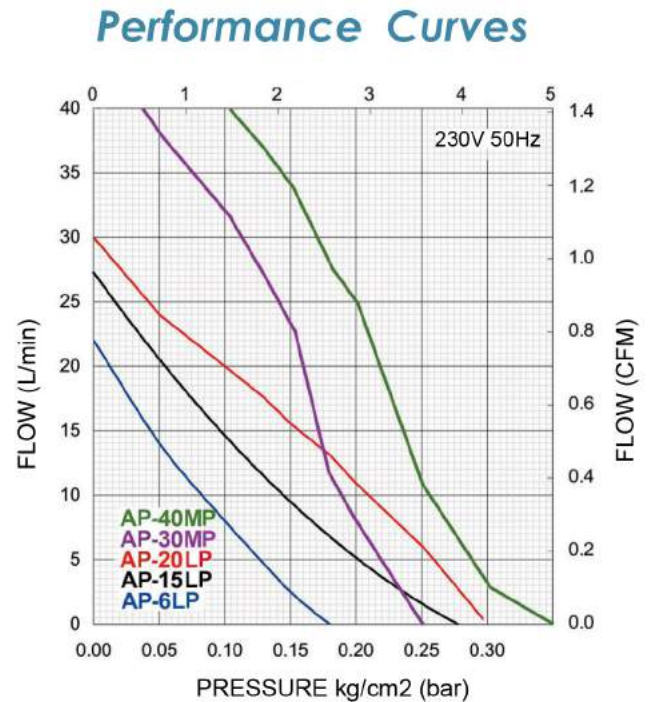
Blow

- Model**
AP-6LP
AP-15LP
AP-20LP
AP-30MP
AP-40MP



Vacuum/Blow

- Model**
AP-6LSP
AP-15LSP
AP-20LSP
AP-30MSAP
AP-40MSAP



Dimensions in mm :

Specification

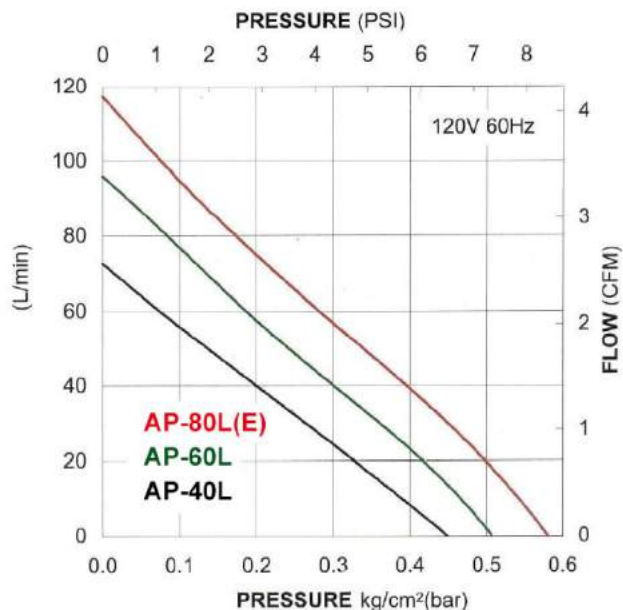
Model	AP-6LP/AP-6LSP		AP-15LP/AP-15LSP		AP-20LP/AP-20LSP		AP-30MP/AP-30MSAP		AP-40MP/AP-40MSAP	
Voltage	120V 60Hz	230V 50Hz	120V 60Hz	230V 50Hz	120V 60Hz	230V 50Hz	120V 60Hz	230V 50Hz	120V 60Hz	230V 50Hz
Rated Pressure	0.1 kgf/cm ² (bar)(1.4 psi)		0.1 kgf/cm ² (bar)(1.4 psi)		0.1 kgf/cm ² (bar)(1.4 psi)		0.1 kgf/cm ² (bar)(1.4 psi)		0.1 kgf/cm ² (bar)(1.4 psi)	
Rated Performance	10 LPM	8 LPM	17.5 LPM	15 LPM	20 LPM	17 LPM	30 LPM	32 LPM	40 LPM	41 LPM
Rated Current	0.1 A	0.1 A	0.2 A	0.2 A	0.3 A	0.2 A	0.3 A	0.15 A	0.46 A	0.23 A
Rated Power	7 W	7 W	14 W	14 W	15 W	15 W	18 W	18 W	30 W	30 W
Sound Level	27 dB		29dB		29 dB		36 dB		39 dB	
Weight	2.4 kg (5.3 lb)		2.4 Kg (5.4 lb)		2.5 kg (5.5 lb)		3.3 kg (7.3 lb)		3.4 kg (7.5 lb)	
Dimension	L 15.0 X W 13.0 X H 11.0 cm									

Information presented is base on test results from nominal units
 Specifications are subject to change without notice.

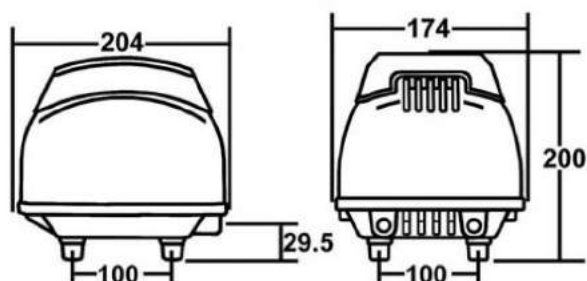
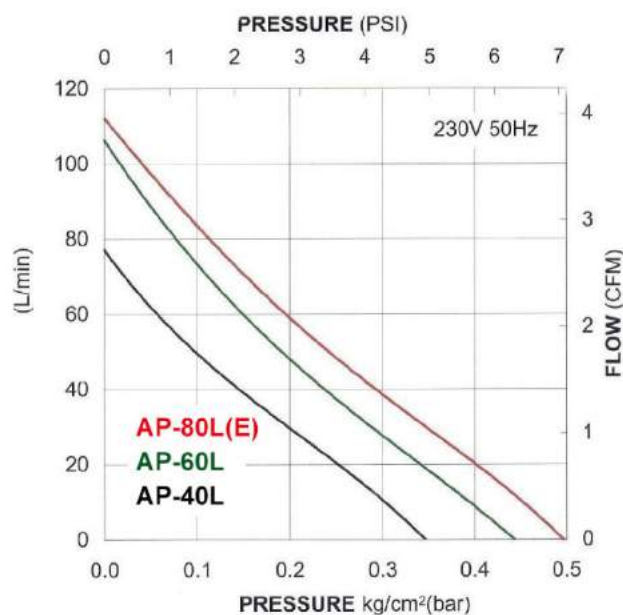
The BLOWTAC linear air pump is designed to deliver high volume of steady airflow at 0.1 to 0.5 bar pressure ranges, our BLOWTAC linear air pumps are of high efficiency, low energy consumption and perform with very low operation noise under 40 dB(A).



Model
AP-40L
AP-60L
AP-80L(E)



Performance Curves



Dimensions in mm :

Specification

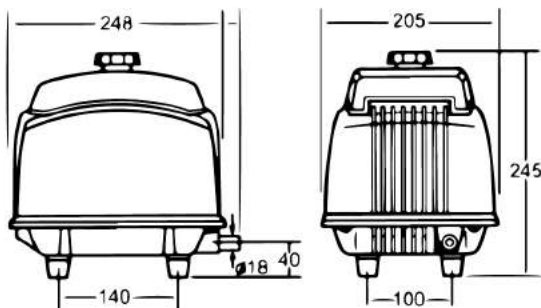
Model	AP-40L		AP-60L		AP-80L(E)	
Voltage	120V 60Hz	230V 50Hz	120V 60Hz	230V 50Hz	120V 60Hz	230V 50Hz
Rated Pressure	0.13 kgf/cm ² (bar)(1.88 psi)		0.15 kgf/cm ² (bar)(2.18 psi)		0.15 kgf/cm ² (bar)(2.18 psi)	
Rated Performance	51 LPM	40 LPM	65 LPM	60 LPM	85 LPM	70 LPM
Rated Current	0.8 A	0.5 A	1.0 A	0.6 A	1.7 A	0.8 A
Rated Power	45 W	40 W	68 W	54 W	86 W	80 W
Sound Level	36 dB		38 dB		39 dB	
Weight	6.0 kg (13.2 lb)		6.7 Kg (14.7 lb)		6.8 kg (15.2 lb)	
Dimension	L 20.4 X W 17.4 X H 20.0 cm					

Information presented is base on test results from nominal units
 Specifications are subject to change without notice.

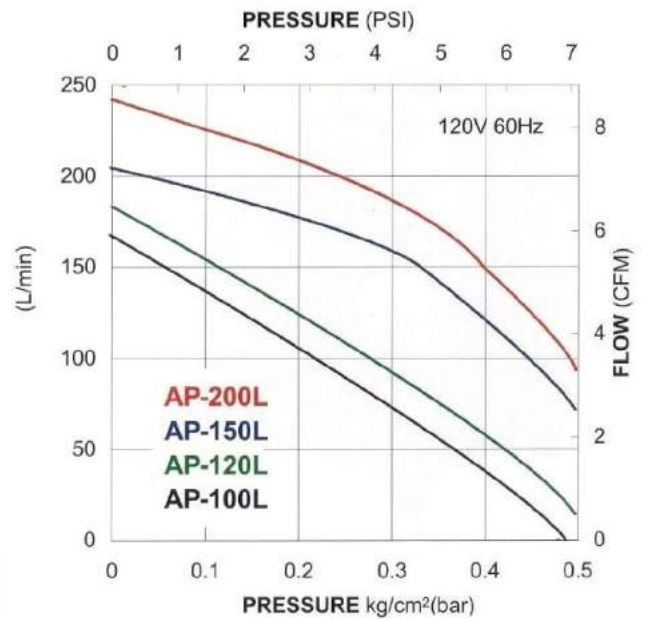
Compact high capacity linear air pump with low current draws, low vibration and quiet performance.

Model

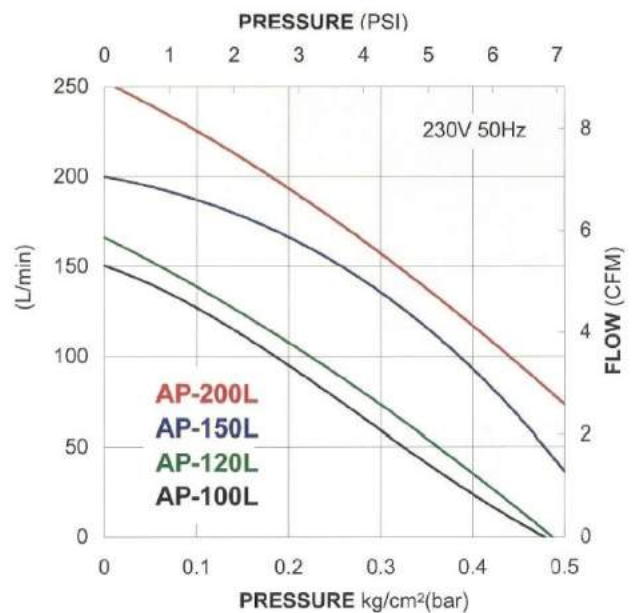
- AP-100L**
- AP-120L**
- AP-150L**
- AP-200L**



Dimensions in mm



Performance Curves



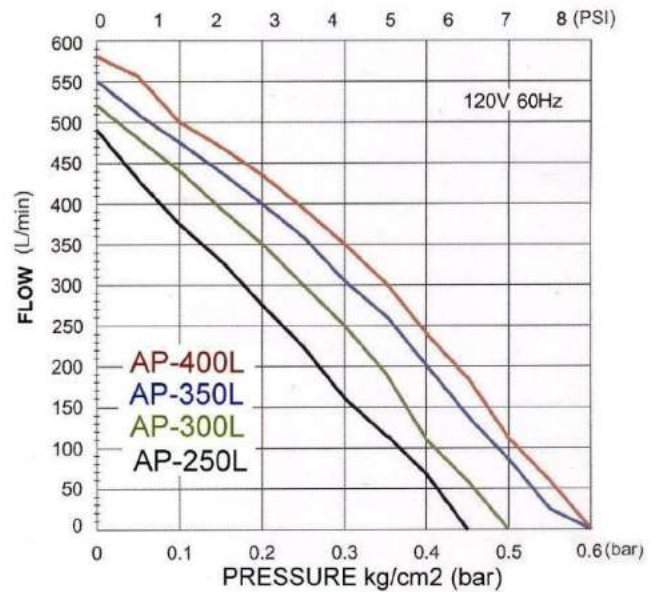
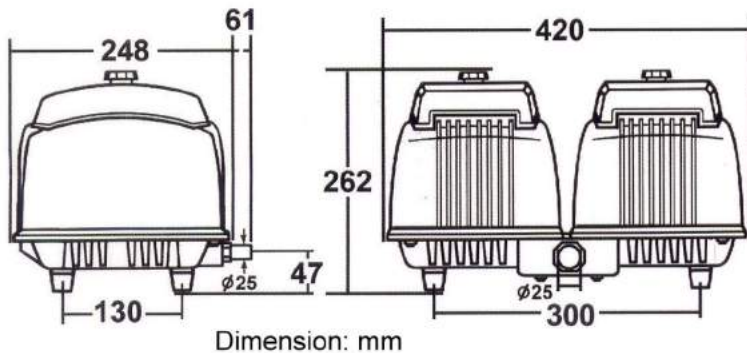
Specification

Model	AP-100L		AP-120L		AP-150L		AP-200L	
	120V 60Hz	230V 50Hz	120V 60Hz	230V 50Hz	120V 60Hz	230V 50Hz	120V 60Hz	230V 50Hz
Rated Pressure	0.18 kgf/cm ² (bar)(2.6 psi)		0.2 kgf/cm ² (bar)(2.9 psi)					
Rated Performance	110 LPM	95 LPM	125 LPM	110 LPM	180 LPM	170 LPM	210 LPM	190 LPM
Rated Current	2.1 A	1.0 A	2.2 A	1.1 A	2.3 A	1.2 A	3.2 A	1.3 A
Rated Power	126 W	115 W	132 W	126 W	138 W	138 W	250 W	200 W
Sound Level	41 dB		42 dB		44 dB		45 dB	
Weight	8.3 kg (18.2 lb)		8.3 kg (18.2 lb)		10.1 kg (22.3 lb)		10.1 kg (22.3 lb)	
Dimension	L 24.8 X W 20.5 X H 24.5 cm							

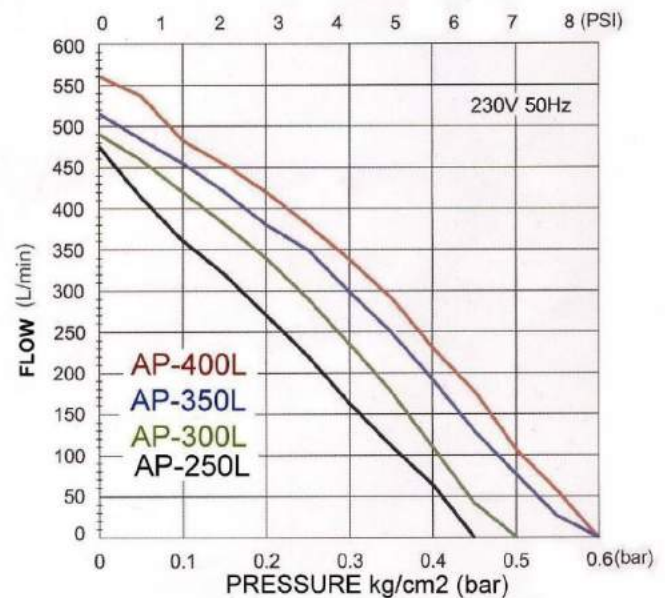
Information presented is base on test results from nominal units
Specifications are subject to change without notice.

Model

AP-250L AP-350L
 AP-300L AP-400L



Performance Curves



Specification

Model	AP-250L		AP-300L		AP-350L		AP-400L	
Voltage	120V 60Hz	230V 50Hz	120V 60Hz	230V 50Hz	120V 60Hz	230V 50Hz	120V 60Hz	230V 50Hz
Rated Pressure	0.2 kgf/cm ² (bar)(2.9 psi)							
Rated Performance	260 LPM	250 LPM	330 LPM	315 LPM	380 LPM	390 LPM	420 LPM	395 LPM
Rated Current	4.83 A	2.31 A	3.82 A	1.84 A	4.69 A	2.27 A	5.42 A	2.68 A
Rated Power	264 W	243 W	289W	267W	381W	360W	440W	378W
Sound Level	46 dB		47dB		48dB		49dB	
Weight	18.82 kg(41.49 lb)		22.14 Kg(48.81 lb)		22.16 kg(48.85 lb)		22.18 kg(48.89 lb)	
Dimension	L 24.8 X W 42 X H 26.2 cm							

Information presented is base on test results from nominal units
 Specifications are subject to change without notice.

LINEAR AIR PUMP

電磁式空氣泵



See Green , See Sun Mines

Made in TAIWAN

**SUN MINES
ELECTRICS CO.,LTD
三敏電機股份有限公司**

 22203新北市深坑區北深路三段153號7樓



TEL:+886-2-2662-9292
FAX:+886-2-2662-7575



info@sunmines.com.tw
Website: www.blowtac.com.tw



7F, No.153, Sec. 3, Beishen Rd,
Shenkeng Dist, New Taipei City 222, Taiwan

