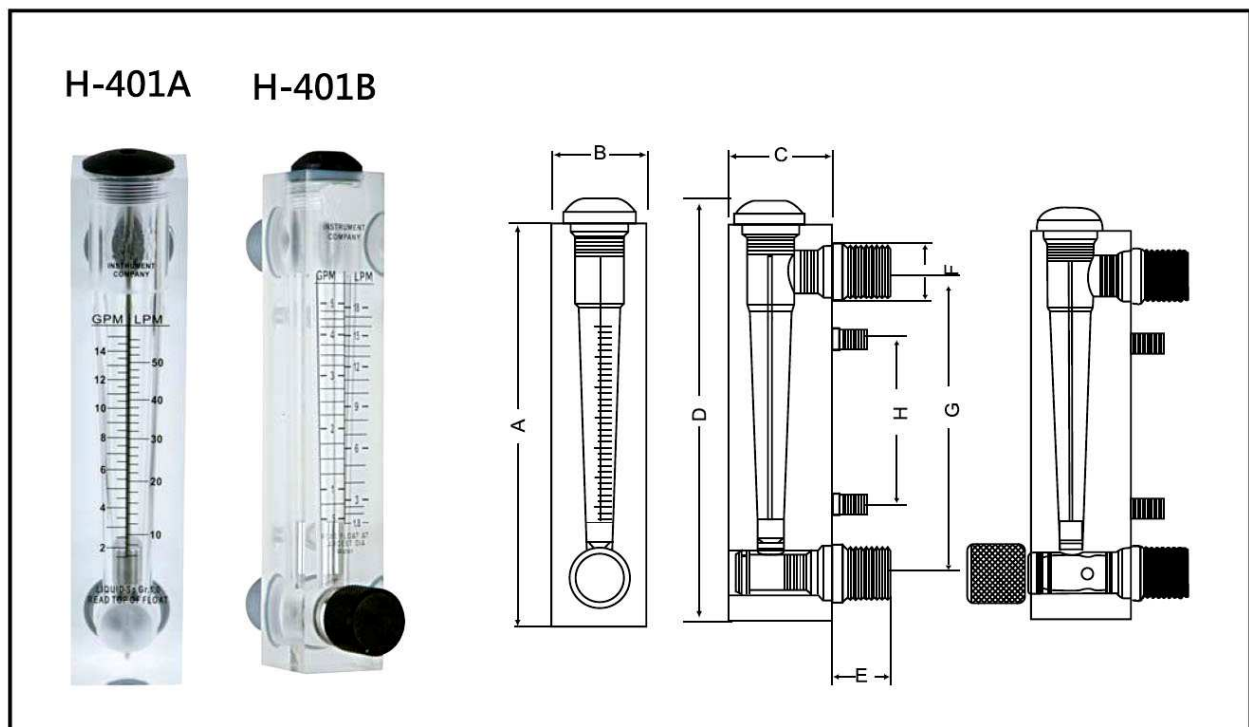


# 透明管面積式流量計—壓克力面板式



## SPECIFICATIONS

Model	Measuring range		Thread	Weight (kg)	Working pressure	Accuracy	Temp( °C )
	GPM	LPM					
1	0.1~1	0.5~4	1/2"	0.3	≤ 0.6MPa	±6 %	≤55
2	0.2~2	1~7					
3	0.3~3	2~11					
4	0.5~5	2~18					
5	1~10	5~35	1"	0.6	≤ 0.6MPa	±6 %	≤55
6	2~14	10~50					
7	2~20	10~70					
8	5~35	10~130					

## DIMENSIONS

Model	(mm)							
	A	B	C	D	E	F	G	H
1 2 3 4	168	30	34	176	25	25	127	76
5 6 7 8	226	45	46	232	48	33	165	100