

# AIR PULL-SETTERS

## LG-803

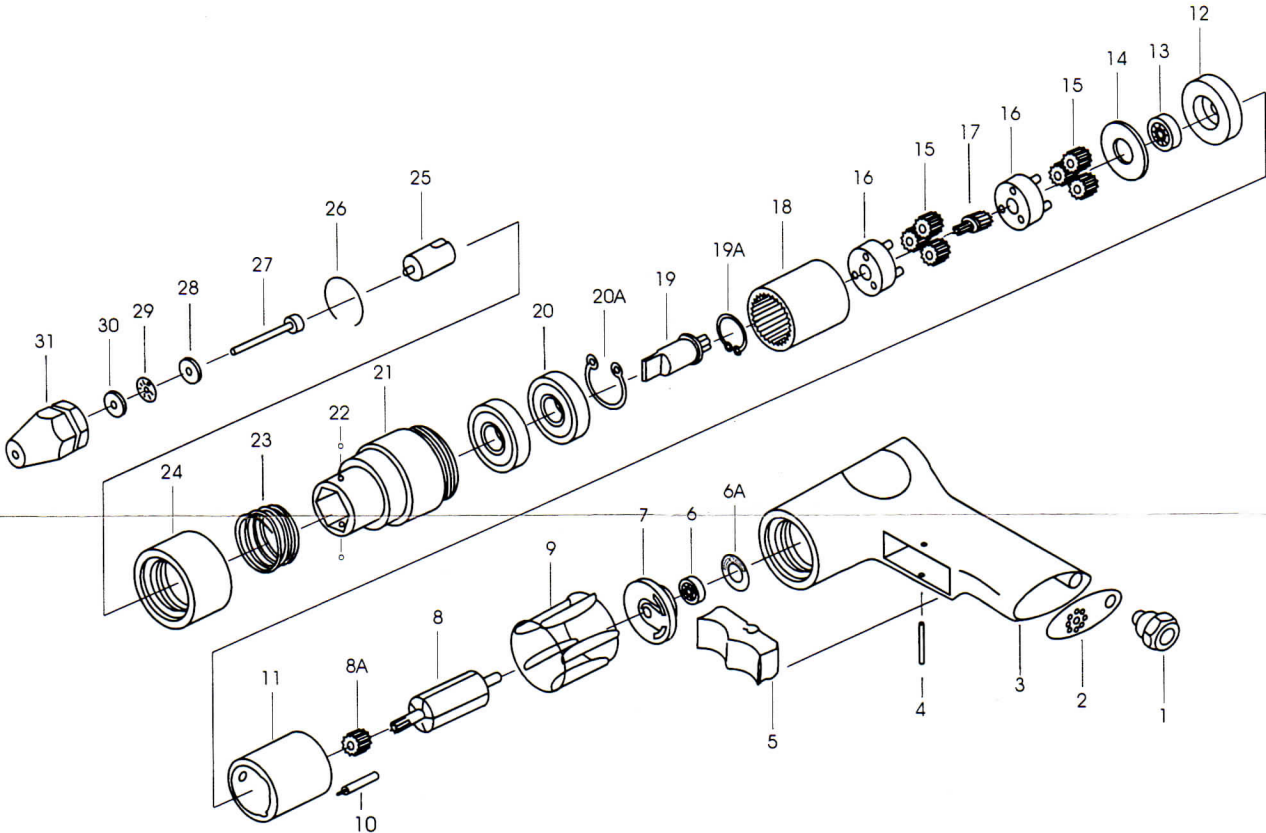
### SPECIFICATION

Free speed(R.P.M.)600  
 Air pressure 90 psi  
 Air inlet(N.P.T.)1/4"  
 Air consumption 5CFM  
 Thread size:M8, M10  
 Hose size: 3/8"(9.5m/m)

## LG-804

### SPECIFICATION

Free speed(R.P.M.)400  
 Air pressure 90 psi  
 Air inlet(N.P.T.)1/4"  
 Air consumption 5CFM  
 Thread size:M8, M10  
 Hose size: 3/8"(9.5m/m)



PART NO.	Description	NO. Req'd	PART NO.	Description	NO. Req'd
803-1	AIR INLET	1	803-16	GEAR CAGE	2
803-2	DIFFUSER-EXHAUST	1	804-16	GEAR CAGE	2
803-3	HANDLE	1	803-17	SUN GEAR (12T)	1
803-4	PIN (ø3x28)	1	804-17	SUN GEAR (9T)	1
803-5	TRIGGER	1	803-18	INTERNAL GEAR	1
803-6A	GASKET	1	804-18	INTERNAL GEAR	1
803-6	BALL BEARING (696zz)	1	803-19	DRIVE SPINDLE	1
803-7	REAR PLATE	1	803-19A	RETAINING RING	1
803-8A	SUN GEAR	1	803-20	BALL BEARING (6200z)	2
803-8	ROTOR (6T)	1	803-20A	RETAINING RING	1
804-8	ROTOR (9T)	1	803-21	NOSE HOUSING	1
803-9	ROTOR BLADE	5	803-22	LOCKING BALLS	2
803-10	ROLLER PIN (ø2.5x10)	2	803-23	SPRING	1
803-11	CYLINDER	1	803-24	QUICK CHANGE SLEEVE	1
803-12	FRONT END PLATE	1	803-25	DRAW BOLT DRIVER	1
804-12	FRONT END PLATE(ø34xø6) (ø34xø8)	1	803-26	CIRCLIP	1
803-13	BALL BEARING (626zz)	1	803-27	SCREW	1
804-13	BALL BEARING (698zz)	1	803-28	WASHER	1
803-14	WASHER	1	803-29	ROLLER BEARINGS	1
803-15	PLANET GEAR (15T)	6	803-30	WASHER	1
804-15	PLANET GEAR (16T)	6	803-31	NOSE PIECE	1