

# AIR PULL-SETTERS

## LG-801

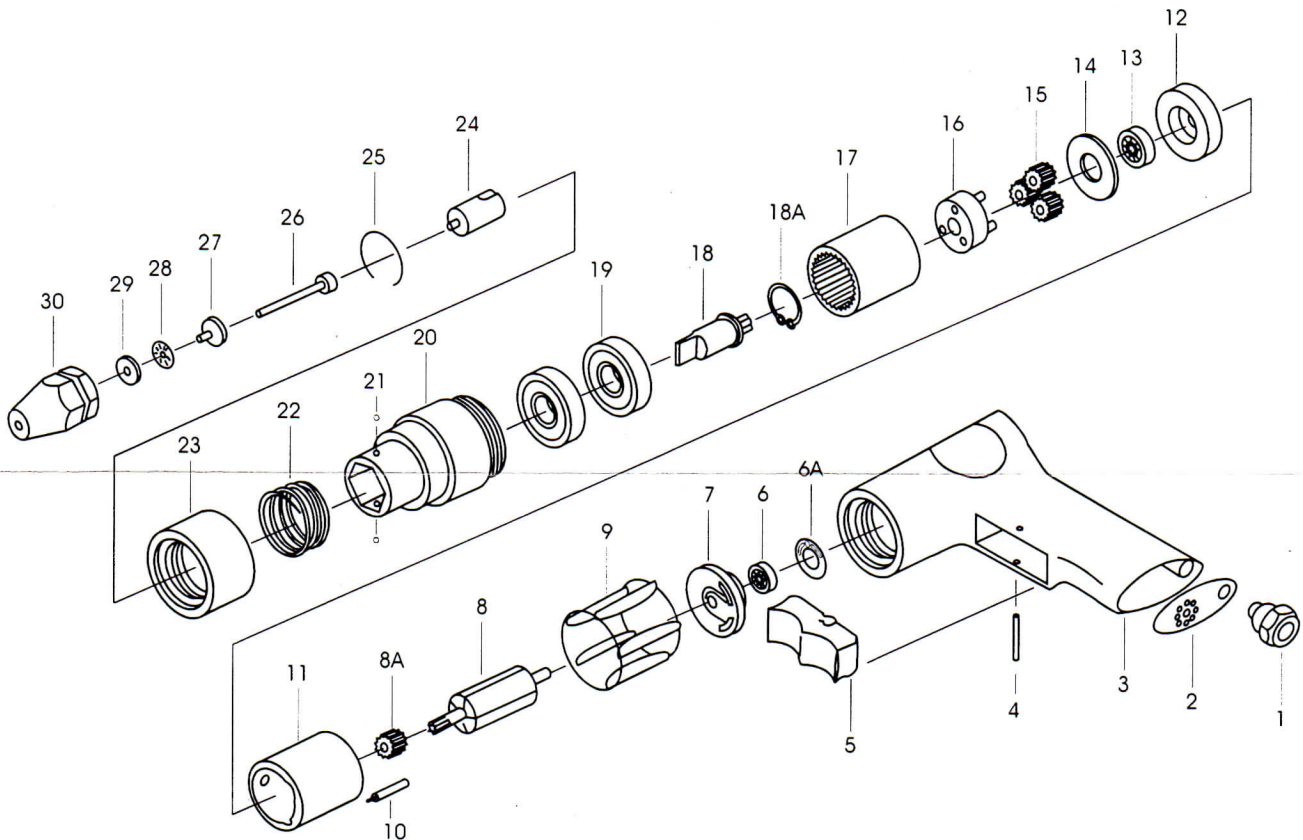
### SPECIFICATION

Free speed(R.P.M.)3000  
 Air pressure 50 psi  
 Air inlet(N.P.T.)1/4"  
 Air consumption 5CFM  
 Thread size:M3, M4  
 Hose size: 3/8"(9.5m/m)

## LG-802

### SPECIFICATION

Free speed(R.P.M.)1500  
 Air pressure 90 psi  
 Air inlet(N.P.T.)1/4"  
 Air consumption 5CFM  
 Thread size:M5, M6  
 Hose size: 3/8"(9.5m/m)



PART NO.	Description	NO. Req'd	PART NO.	Description	NO. Req'd
802-1	AIR INLET	1	801-16	GEAR CAGE	1
802-2	DIFFUSER-EXHAUST	1	802-16	GEAR CAGE	1
802-3	HANDLE ASSEMBLY	1	802-17	INTERNAL GEAR	1
802-4	PIN (ø3x28)	1	802-18	DRIVE SPINDLE	1
802-5	TRIGGER	1	802-18A	RETAINING RING	1
802-6A	GASKET	1	802-19	BALL BEARING (6200z)	2
802-6	BALL BEARING (696zz)	1	802-20	NOSE HOUSING	1
802-7	REAR PLATE	1	802-21	LOCKING BALLS	2
802-8	ROTOR (6T)	1	802-22	CHANGE VALUE SPRING	1
801-8A	SUN GEAR (12T)	1	802-23	QUICK CHANGE SLEEVE	1
802-9	ROTOR BLADE	5	802-24	DRAW BOLT DRIVER	1
802-10	ROLL PIN (ø2.5x10)	2	802-25	CIRCLIP	1
802-11	CYLINDER	1	802-26	SCREW	1
802-12	FRONT END PLATE	1	802-27	REAR THRUST PLATE	1
802-13	BALL BEARING (626zz)	1	802-28	ROLLER BEARINGS	1
802-14	WASHER	1	802-29	WASHER	1
801-15	PLANET GEAR (15T)	3	801-30	NOSE PIECE	1
802-15	PLANET GEAR (18T)	3			