



## SWITCH BOARD INSTRUMENTS

トートバンド式

# 広角度計器



■ **VF-11F**

■ **VF-11K**

東洋計器株式会社

## SPECIFICATIONS

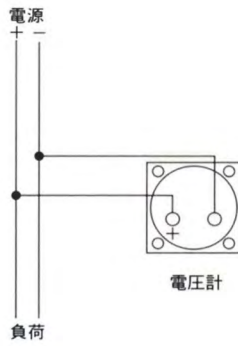
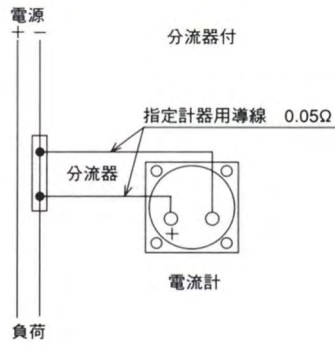
Item	Specifications	Item	Specifications
Standard	JIS C-1102, C-1103, ANSI C 39.1	Frame color	Black or Grey
Accuracy class	See the below		
Angle of deflection	VF-11F 250° VF-11K 237°	Housing material	Body:ABS copolymerization resin Base:ABS copolymerization resin
Scale length	VF-11F=196mm, VF-8=122mm		
Scale color	White	Withstand voltage	AC 2000V for 1 min.:between circuit and outercase (AC2600V for ANSI Standard) Max. circuit voltage: AC 500V
Pointer	Lance type(black)		
Mounting position	Vertical (⊥)	Operational temperature and humidity	-10~55°C, 40~85% RH

## TYPE LIST

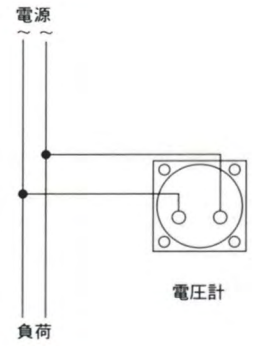
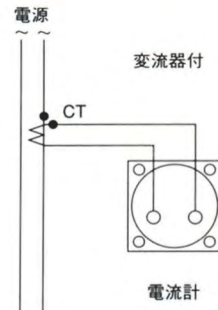
Model		VF-11F / VF-11K	VF-8 / VF-8T				
Frame		110X110mm		80X80mm			
Article	Principle	Type	class		Type	class	
			JIS	ANSI		JIS	ANSI
DC AMMETER (30A)	Moving coil type	DVF-11 DVF-11F	1.5	1.0	DVF-8 DVF-8T	2.5	2.0
DC VOLTMETER (150V, 300V, 60mv)			DVF-11K	1.5			
DC RECEIVING METER (4-20mA)		—		—			
AC RECEIVING METER	Rectifier type	SVF-11 SVF-11F	1.5	1.0	SVF-8	2.5	2.0
AC AMMETER (5A, 1A)	rms Reading	SeVF-11 / SeVF-11F	1.5	1.0	SeVF-8N SeVF-8T	2.5	2.0
		SeVF-11K	1.5	—			
AC VOLTMETER (150V, 300V, 600V)	rms Reading	SeVF-11 / SeVF-11F	1.5	1.0	SeVF-8N SeVF-8T	2.5	2.0
		SeVF-11K	1.5	—			
WATT METER	1-phase 2-wire (50/60Hz)	E VF-11N E VF-11F	1.5	1.0	E VF-8 E VF-8T W/ERG-3	2.5	2.0
	1-phase 3-wire (50/60Hz)						
3-phase 3-wire (50-60Hz)	Transducer type	E VF-11K	1.5	—			
3-phase 4-wire (50/60Hz)							
VARMETER	1-phase 2-wire (50 or 60Hz)	R VF-11N R VF-11F	1.5	1.0	R VF-8 R VF-8T W/RRG-3	2.5	2.0
	3-phase 3-wire (50-60Hz)						
3-phase 4-wire (50/60Hz)	Transducer type	R VF-11K	1.5	—			
FREQUENCY METER (50, 60, 400Hz)	Differentiation type	F VF-11	0.5	0.5	F VF-8 F VF-8T	1.0	1.0
		F VF-11K	0.5	0.5			
POWER FACTOR METER	1-phase 2-wire (50 or 60Hz)	U VF-11N (F)	5.0	1.0	U VF-8 U VF-8T W/URG-3	5.0	2.0
	3-phase 3-wire (50-60Hz)						
	3-phase 3-wire (50 or 60Hz) (unbalanced)	U u VF-11N (F)	5.0	1.0			
	3-phase 4-wire (50 or 60Hz) (unbalanced)				U u VF-11K	5.0	—
SYNCHRO METER	1-phase 2-wire	L VF-11N	—	—	—	—	
	3-phase 3-wire						

# CONNECTIONS:

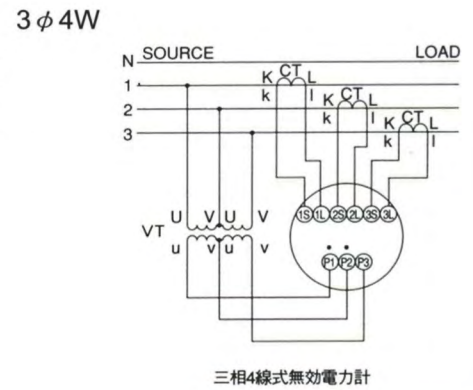
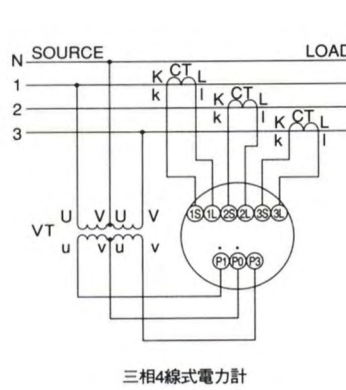
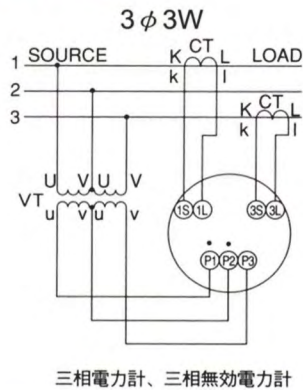
## ◆ DC AM / VM



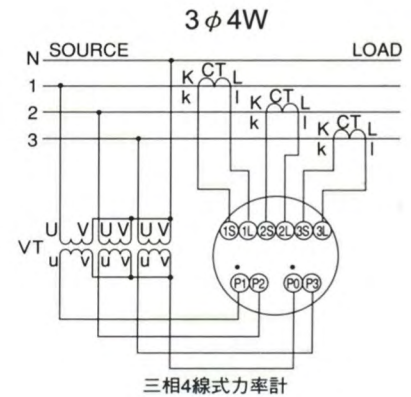
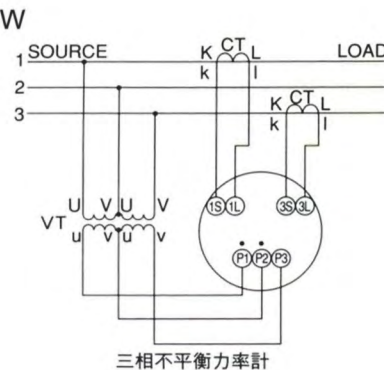
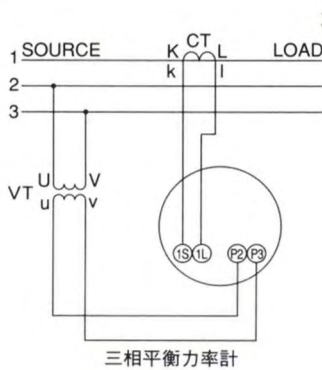
## ◆ AC AM / VM / FM



## ◆ KWM / KVARM

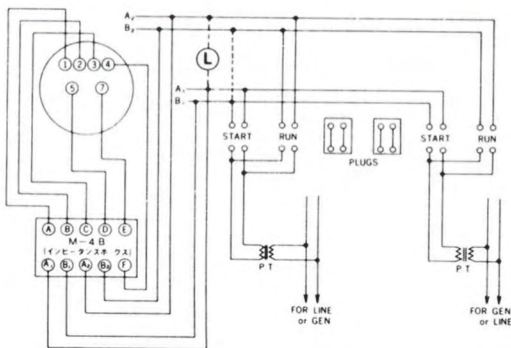


## ◆ PFM

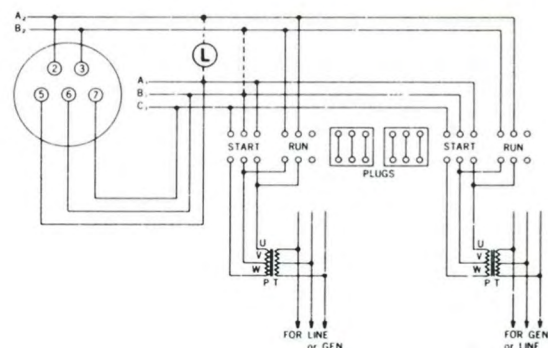


## ◆ SYM

単相用  
AC110V、220V用



三相用  
AC110V用 (倍率器内臓)

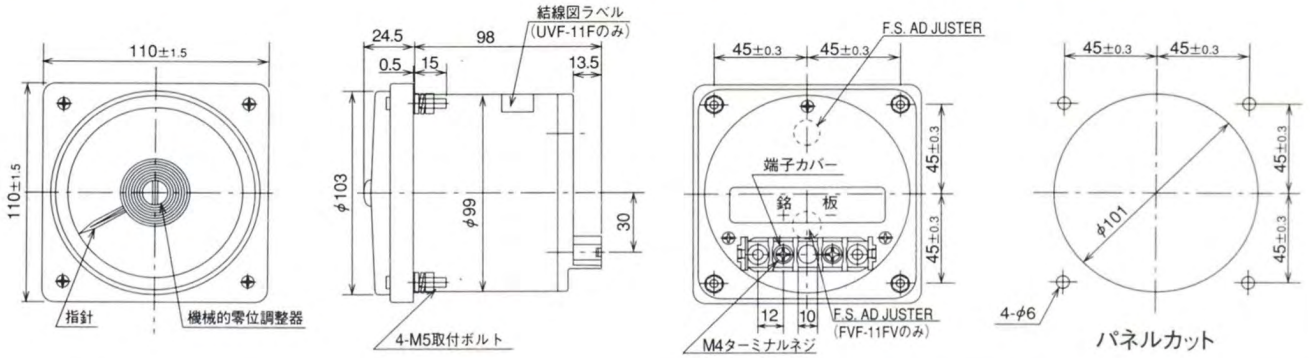


● VF-8/VF-8T please contact us.

## DIMENSIONS:

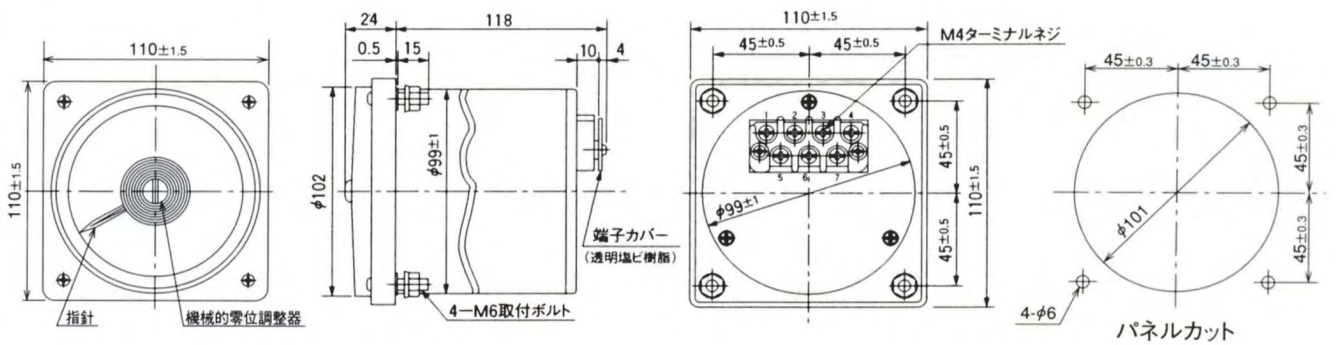
### ◆ DVF-11(K) / SeVF-11F(K) / SVF-11F / FVF-11(K) / UVF-11F

### ◆ PANEL CUT



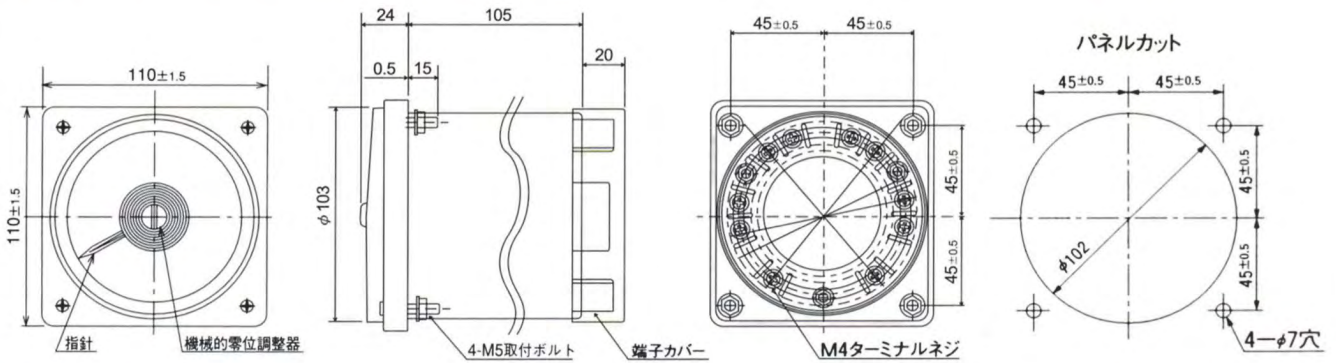
### ◆ EVF-11N / RVF-11N / UuVF-11N / LVF-11N / UVF-11N

### ◆ PANEL CUT



### ◆ EVF-11K / RVF-11K / UuVF-11K / UVF-11K

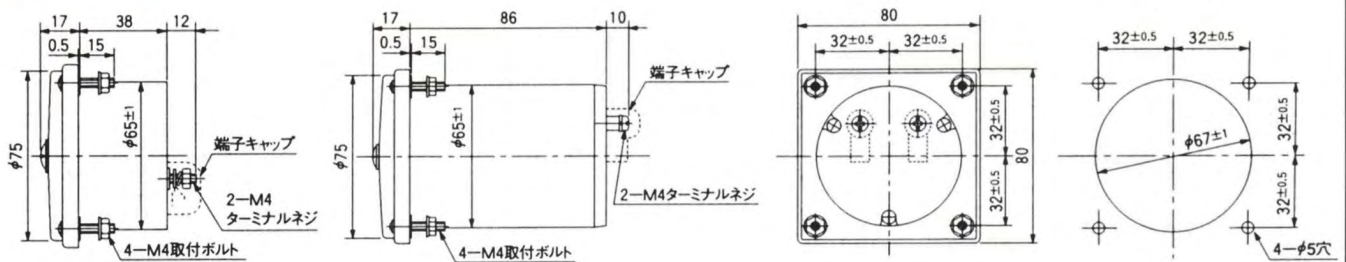
### ◆ PANEL CUT



### ◆ DVF-8 / EVF-8 ◆ RVF-8 / UVF-8

### ◆ SeVF-8N

### ◆ PANEL CUT



## 普得企業股份有限公司

總公司：台北市內湖區行愛路68號6樓  
電話：(02)8791-8588 傳真：(02)8791-9588  
電子郵件：toyotech@ms37.hinet.net  
網址：www.toyotech.com.tw

台中辦事處：台中市文心路四段200號10樓之2  
電話：(04)2296-9388 傳真：(04)2296-9386  
高雄辦事處：高雄市民生一路56號15樓之6  
電話：(07)227-2133 傳真：(07)227-2173