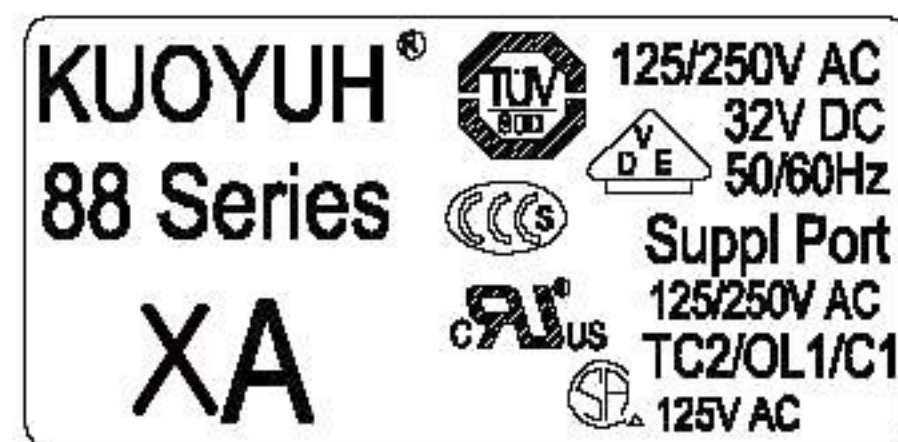


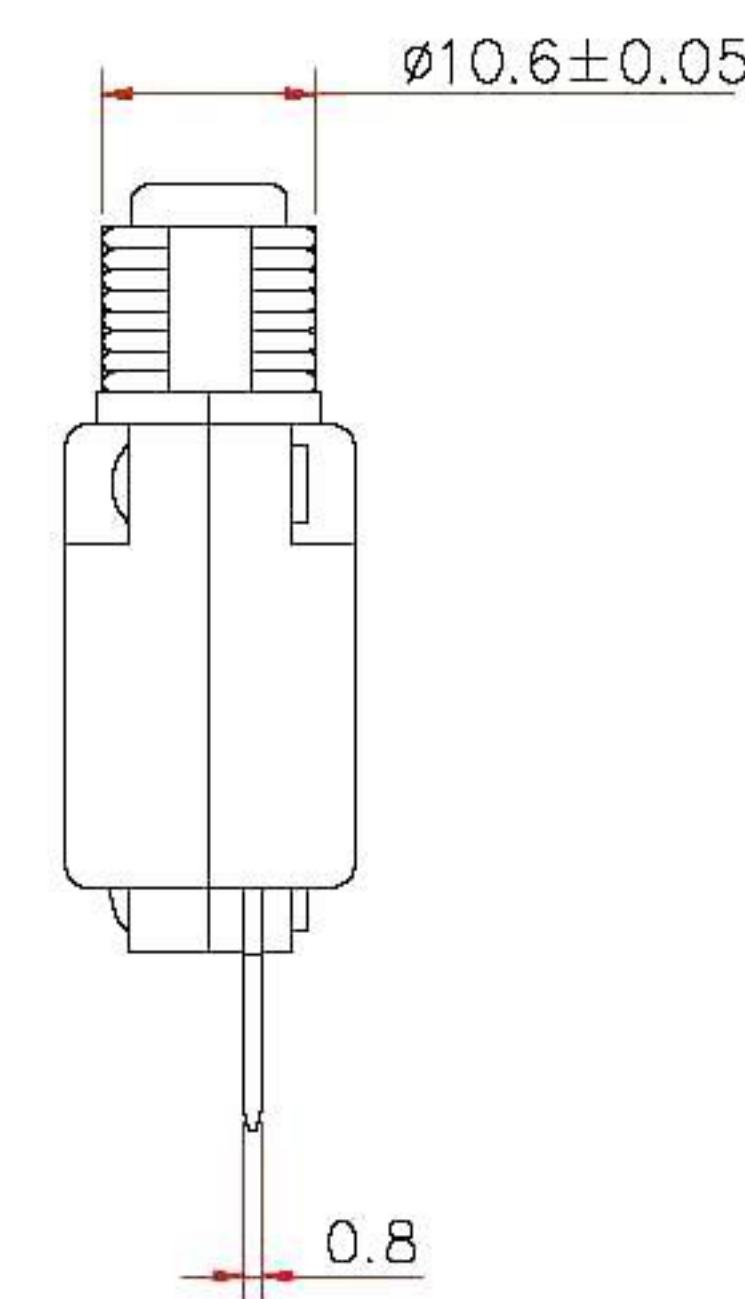
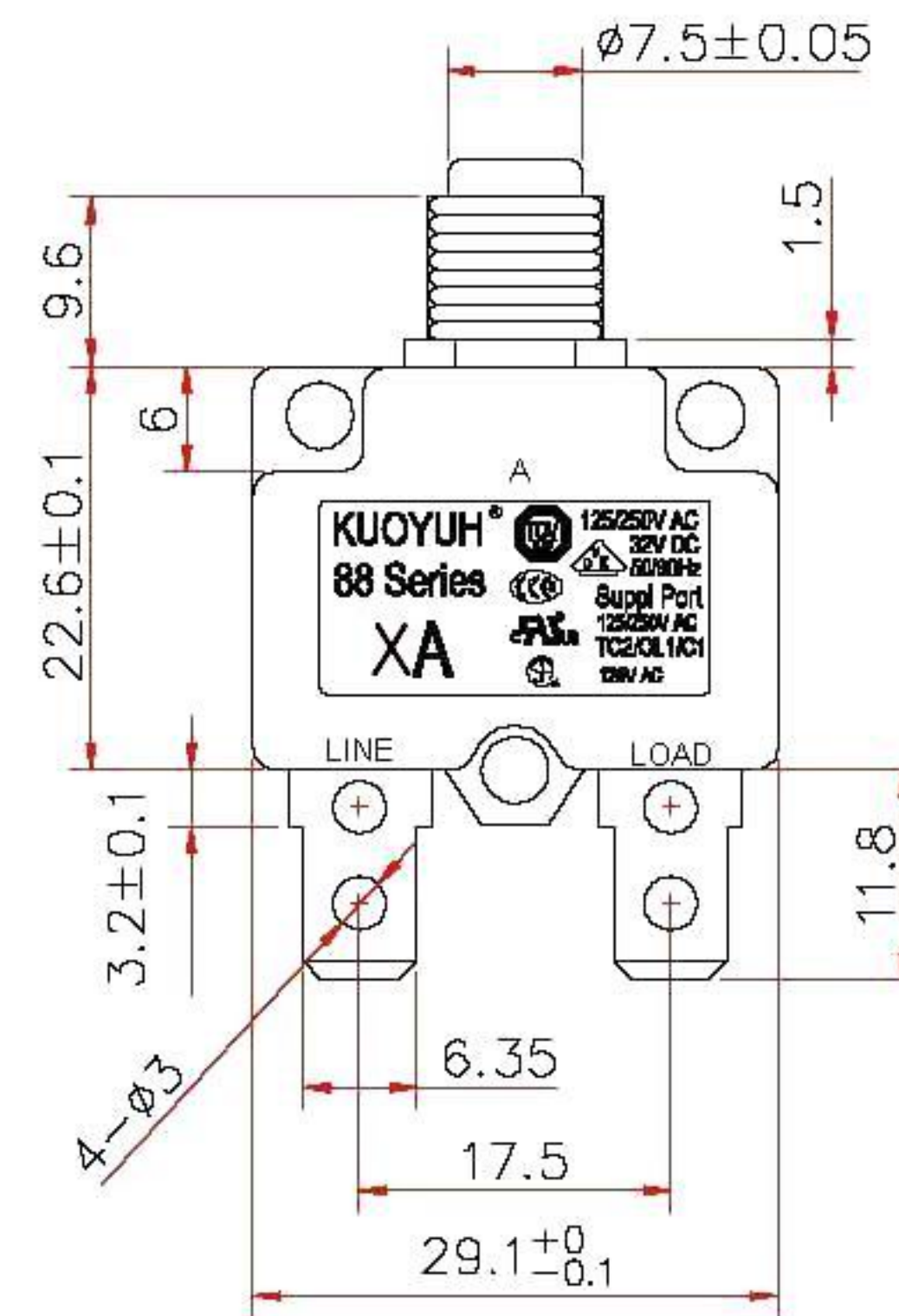
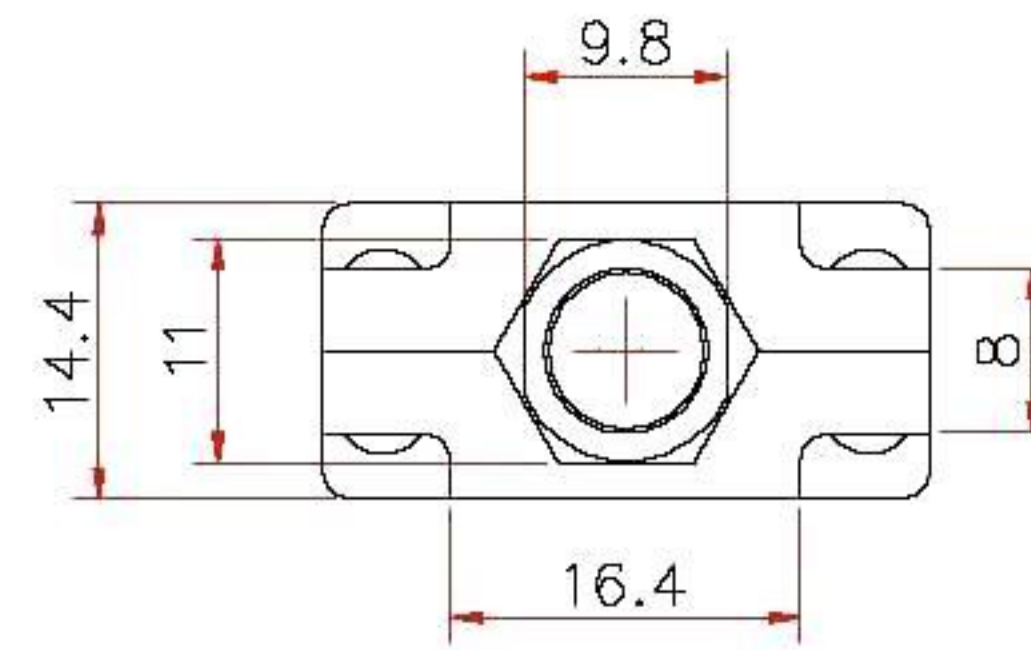
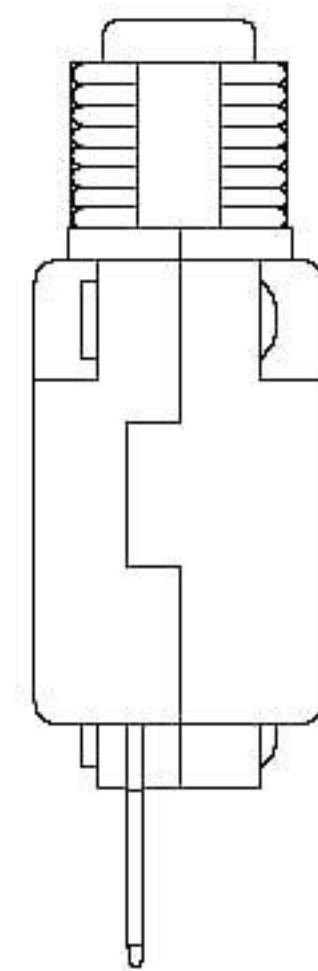
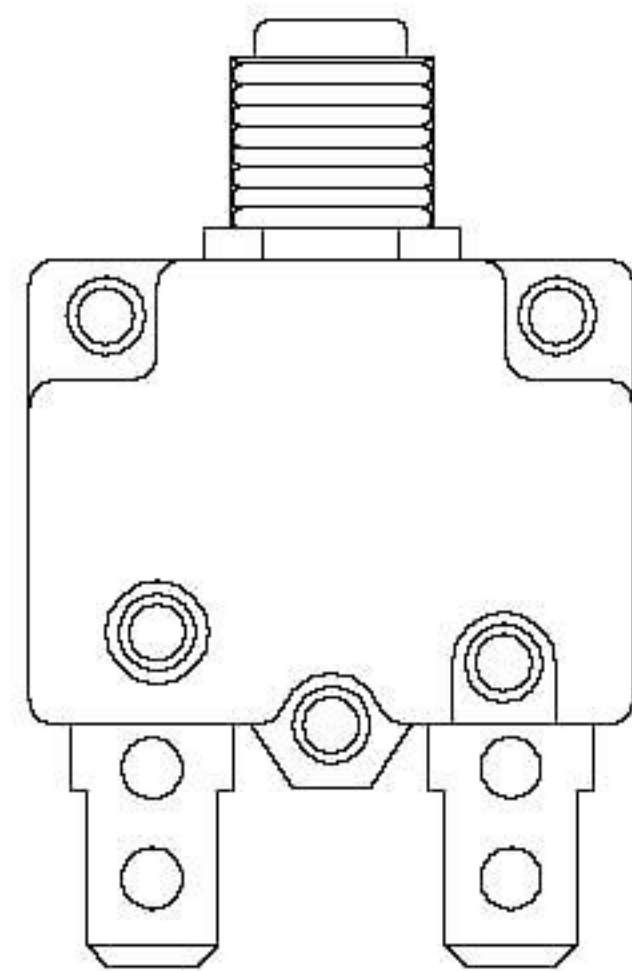
P/N: 88-XX-P1B14-000

Rating:

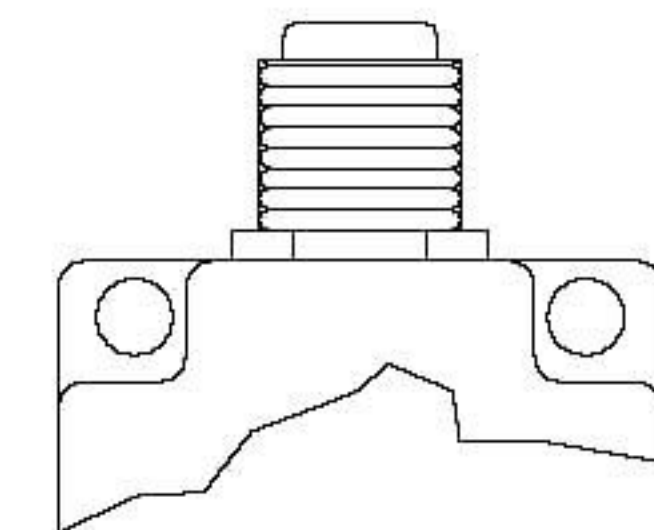
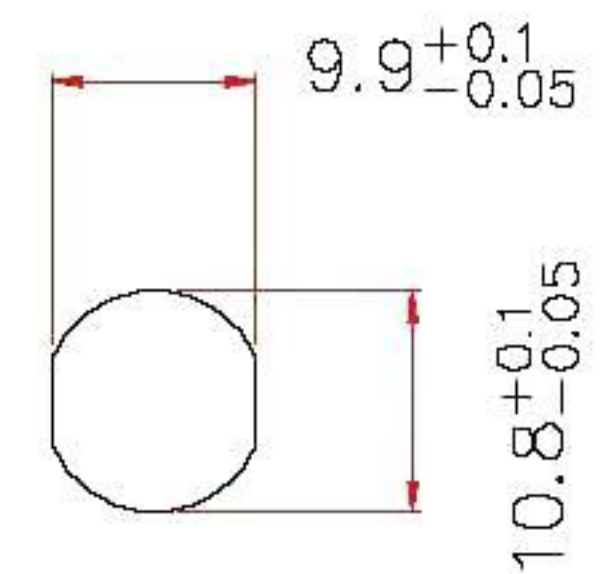
VDE 3A-16A 125/250Vac 32Vdc
 UL cUL 3A-20A 125/250Vac TC2/OL1/C1
 TuV 3A-20A 125/250Vac 32Vdc
 CCC 5A-20A 125/250Vac
 CSA 10A/15A 125Vac



2:1



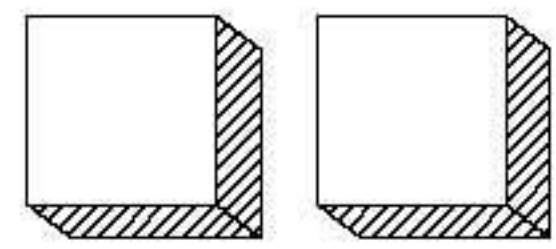
Panel Cutout



NO	DESCRIPTION	APPROVED	DATE	TOLERANCE		APPROVED	CHECK	DESING	DRAWER	UNIT	mm	
				DIMENSION	TOLERANCE							
4				XX.XX	±0.05	Hunter.H	Mark.C	John.L	Cewen.O	SCALE	1:1	
3				XX.X	±0.1							
2				XX	±0.15	FILE NO	88 Series Thermal Circuit Breaker			MATERIAL		
1				ANGLE	TOLERANCE	REV	B8	DATE	07/Aug/06	TITLE	88-XX-P1B14-000	
				X	±1°	SWEETA PRODUCTS CORPORATION				DRAWING NO	950807P21	
				X.X	±0.5°							

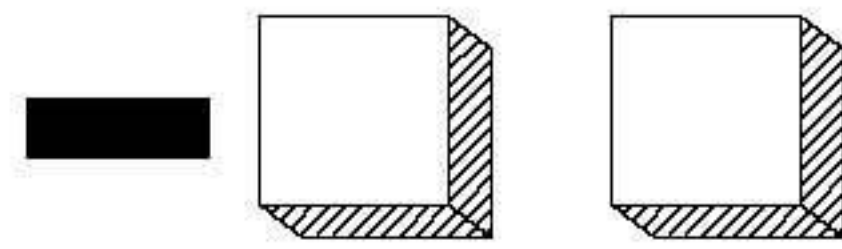
88

Series No.

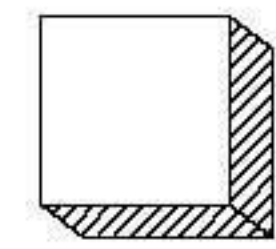


Amp Rating

03= 3Amp
04= 4Amp
:
18= 18Amp
20= 20Amp

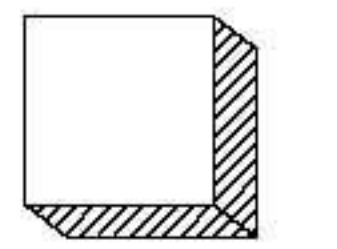


Bushing Type

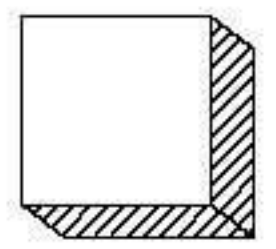


Color of Button

B=Black (黑色)
R=Red (紅色)
W=White (白色)
1=Black w/ver white print (黑色印白字)
2=Black (amp on button) (黑色刻字)
3=Red (amp on button) (紅色刻字)
4=White (amp on button) (白色刻字)

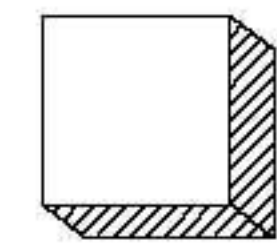


Terminal Type

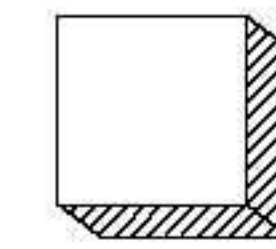


Voltage

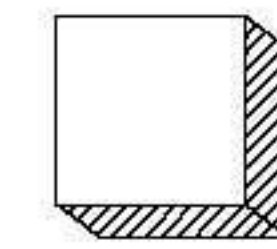
3= 125/250Vac
4= 125/250Vac, 32Vdc



Mounting Nut Type



Waterproof Type



Nameplate Type

Bushing Type					
Plastic	Plastic	Plastic	Plastic	Plastic	Plastic
No Pitch	M11XP1.0	M12XP1.0	3/8" 27T	No Pitch	No Pitch
P0 	P1 	P2 	P7 	AW 	PL
Plastic	Plastic	Plastic	Plastic	Metal	Metal
SNAP IN	SNAP IN	Auto-Reset	Auto-Reset	M11XP1.0	M11XP1.0
PS 	KF 	AR 	ZJ 	A1 	B1

Mounting Nut Type			
Plastic	Plastic	Metal	Metal
P	Q	A	B
 18.6 3 Integrated Kunrlnut	 (3/8" 27T) (M11XP1.0) (M12XP1.0) 15 2 Kunrlnut	 (3/8" 27T) (M11XP1.0) (M12XP1.0) 15 2 Kunrlnut	 (M11XP1.0) H=14 (M12XP1.0) H=15 2 Hexnut

Terminal Type										
Straight 11.8mm	90° bend up	90° bend down	90° bend Line pin	90° bend Load pin	Straight 8.0mm	90° bend up/down	45° bend up	45° bend down	Screwa #8-32	Straight 3.2mm
1 	2 	3 	4 	5 	6 	7 	8 	9 	F 	X

Waterproof Type		
(M11XP1.0) (M12XP1.0)	(M11XP1.0) (M12XP1.0)	(M11XP1.0)
R	F	T
 20	 15.9	 16

Nameplate		Bushing V.S Panel Hole						
 24 B=Black W=White	 22.5 A	P0 ∅11.0 ^{+0.2} _{-0.0}	P1 A1 B1 9.9±0.05 10.8±0.05	P2 10.8±0.05 11.8±0.05	P7 9.5 ^{+0.2} _{-0.0} 8.5 ^{+0.2} _{-0.0}	PS KF 13.8 ^{+0.2} _{-0.0} 15.8 ^{+0.2} _{-0.0}	PL ∅11.8 ^{+0.2} _{-0.0}	AW 11 ^{+0.2} _{-0.0}