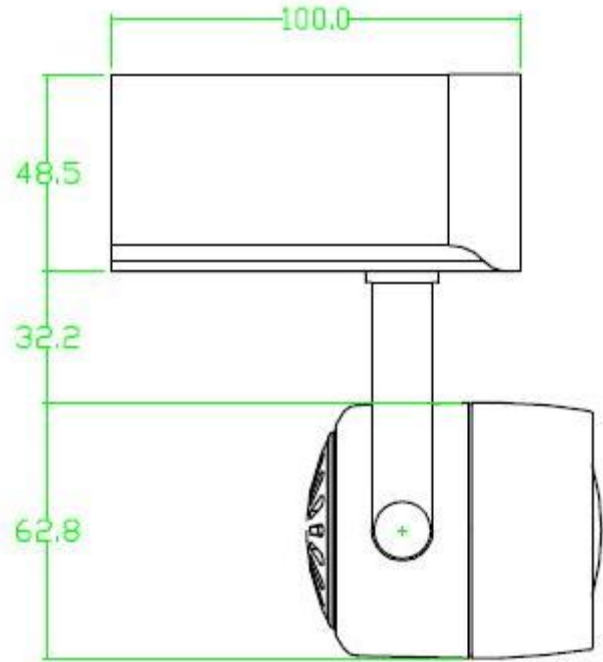




PIKALINE®

[Http://www.shinkando.com](http://www.shinkando.com)

ONE LED TRACK LIGHT – PL1601TK



LED TRACK LIGHT – PL1601TK

	Cool White		Warm White	
Input Voltage	100~240V AC			
Input Power	16W			
Luminous Flux (Typ.)	700 Lm		550 Lm	
Color Temperature	5500K		3000K	
Luminance Efficacy (Typ.)	44 Lm/W		35 Lm/W	
Beam Angle	24°	38°	24°	38°
Illuminance @ 1M	1850 Lux	1250 Lux	1520 Lux	960 Lux
Operation Temperature	-20°C ~ 40°C			
Life Time	30,000Hrs			
S/N Ratio	< 25db at 50cm			
Warranty	2 years			

SHINKANDO TAIPEI; service@shinkando.com
 3F, NO. 184, FUSING N. RD., 10479 TAIPEI CITY, TAIWAN