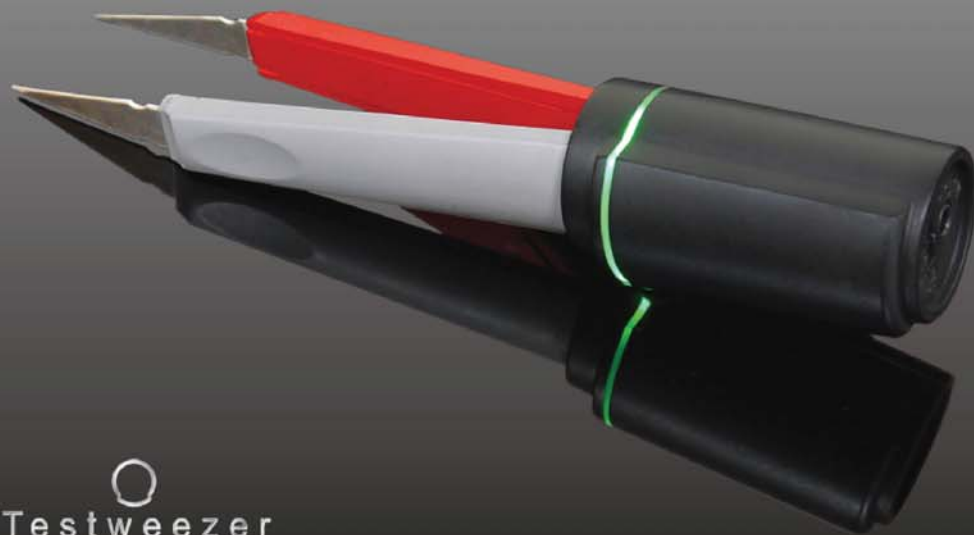




# ShanPu

## Multi-function test tweezer **ST-10**

簡單夾取、輕鬆測試  
Smart Contact Easy Test



Testweezer

### Feature

delicate Testing Tweezers (ST-10) for easy and quick testing mechanical contacted of micro-electronic components such as switch, fuse, PCB circuit. By connecting with multi-meter with special connector cable, Testing Tweezers can test resistor value. Adjustable electrical current is another feature for lighting up all kinds of LED, very useful for engineers and sales persons for instant check and display.

### 特色

精巧測試鑷子 (ST-10) 針對微小的電子零件如開關、電阻、保險絲或PCB線路簡單快速測試導通，也能透過專用的連接線與三用電錶結合量測電阻值，此鑷子還有一個功能，可調整不同輸出電流值，輕鬆點亮各式LED非常適合工程師及業務人員做即時測試和展示用。





# ShanPu

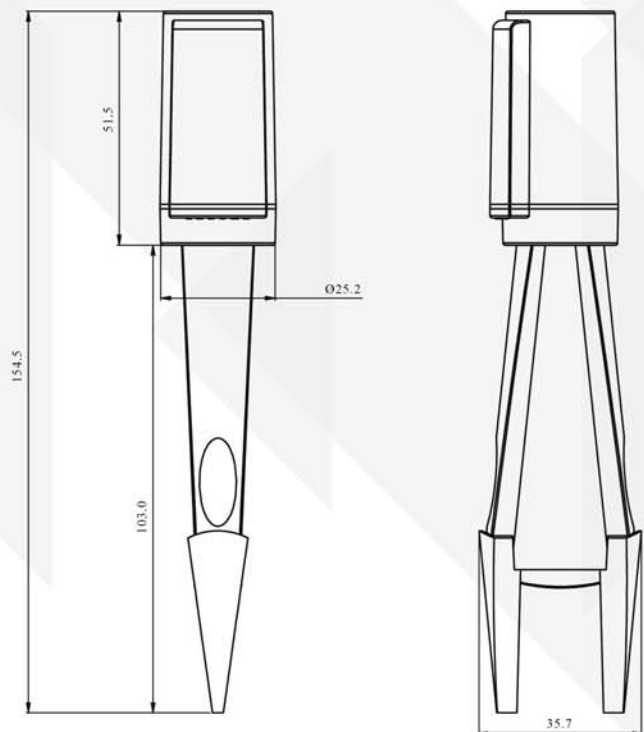
## Multi-function test tweezer **ST-10**

Part Number : ST-10  
 Weight : 50g  
 Material : ABS、Steel  
 Dimensions : 36\*25\*155mm  
 Battery : 23AE 12V

Accessories :  
 1. Screwdriver  
 2. Special connector  
 3. Battery  
 4. Bag



### Dimension



### Feature

測LED可調整電流值  
 LED test adjust current rating



專用連接線  
 接三用電錶測量SMD等小型電子零件  
 Special connect cable  
 connect multimeter to measure SMD  
 or electronic device

電池供電  
 Battery

測試導通環光指示燈  
 Electrical contact test circle of  
 indicator light

握把  
 紅色:正極  
 灰色:負極  
 Handle  
 Red :anode  
 Gray:cathode

測試端子  
 Test terminal



勿測試帶電體  
 Do not Contact with electrified

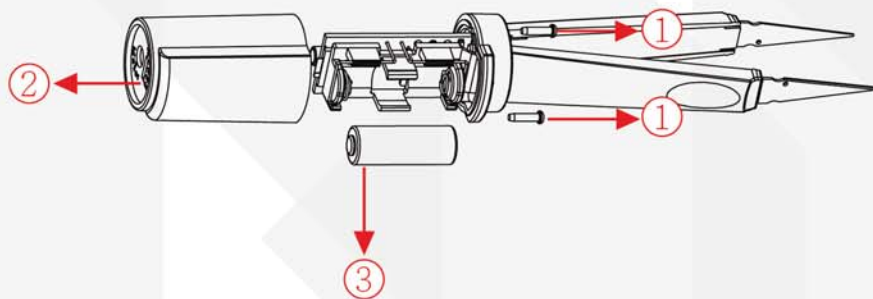


# ShanPu

## Multi-function test tweezer **ST-10**

### Change Battery Figure

1. 拆螺絲 Take off screw
2. 拔上蓋 Pull out top case
3. 換電池 Change Battery



○  
Testtweezer