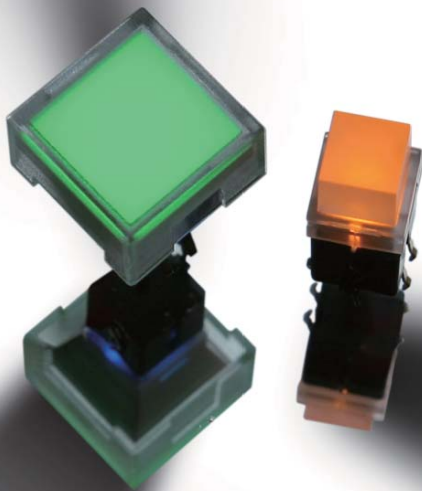




SHANPU CO.,LTD



小巧精品、時尚品味。

SPH

Noiseless illuminated Tactile Switches Series

特色

- 6*6 小型按鈕開關。
- 搭配多樣及多色彩按鈕更添趣味。
- 專利LED照明結構。
- 提供輕觸型及無聲型均可選擇。
- 具防塵機構保持接點清潔。
- 特製矽膠導加金屬彈片阻抗低壽命長。
- 客製化產品提供鐳射雕刻服務。

使用範圍

公共空間、居家、商用建築、機械設備

Feature

- 6*6 small size pushbutton switches body.
- Combination with various button style or color cap.
- LED illuminated machinery patent by SHANPU.
- TACTILE or SILENT are available.
- With silicon dust cover to keep contact point clean.
- Low contact resistance and long circuit life by SHANPU design contact machinery.
- Collocation Cover and Laser engrave add product value.

Application

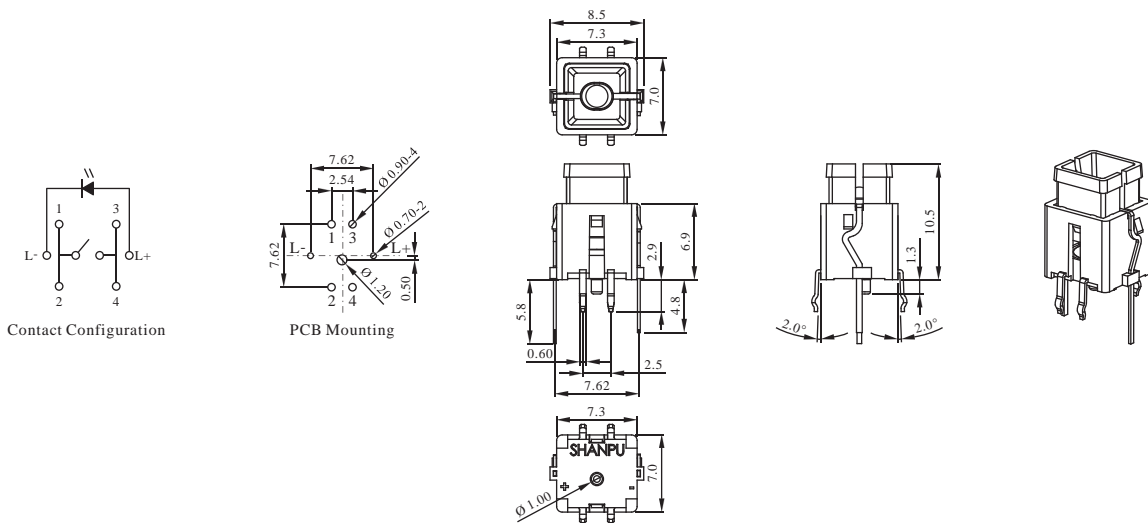
Public building · Home Security · Business building · Industrial equipment...etc.

General Specifications

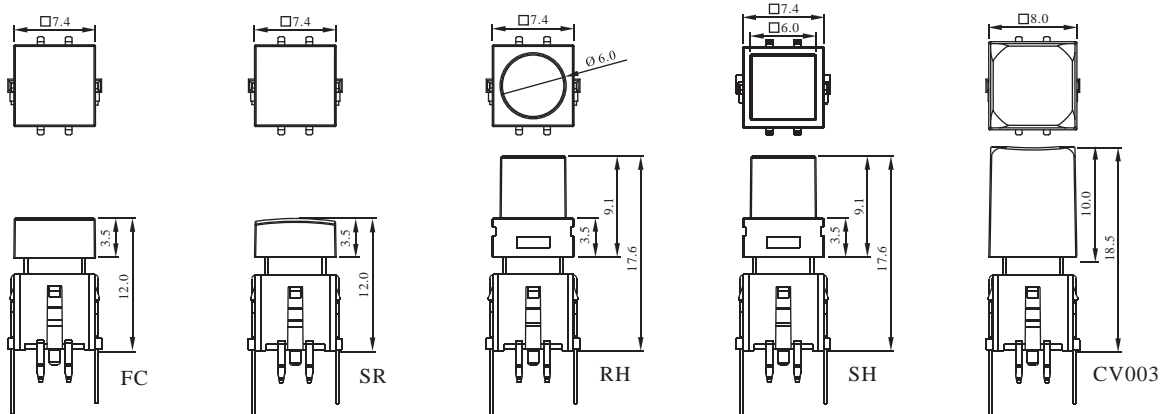
| | |
|---------------------------------|---|
| Current Rating | :50mA |
| Voltage Rating | :12VDC |
| Dielectric Withstanding Voltage | :250VAC for 1 minute |
| Contact Resistance | :100m Ohm Max.(initial) |
| Insulation Resistance | :100M Ohm Min. |
| Operating Force | :230gf±50gf(Tactile)/60gf±10gf(Noiseless) |
| Total Travel(Tactile) | :0.3mm±0.1mm |
| Total Travel(Noiseless) | :1.0mm±0.3mm |
| Operating Life | :1,000,000 cycles Min. |
| Solder Specifications | :260 deg. for 3 seconds |
| Function | :Momentary(SPST) |
| Operating Temperature | :-10 deg.~+60 deg. |
| Materials | |
| Cap | :Polycarbonate (PC) |
| Base | :Polyamide (PA) |
| Reflector | :Polyacetal (POM) |
| Switch Terminal | :Brass with gold plating |
| Action Dome | :Stainless steel with silver plating |
| Sealing rubber | :Silicone |



PCB layout & Circuit Diagram & Dimension



Cap style



How to Order

SPH — [] — [] — [] [] [] [] [] []



| TYPE | |
|------|-----------|
| T | Tactile |
| N | Noiseless |

| LED dwn Color | |
|---------------|-------------|
| 0 | Without LED |
| 1 | Red |
| 2 | Yellow |
| 3 | Green |
| 4 | White |
| 7 | Blue |

| Cap style/Cap color | |
|---------------------|---------------------------|
| FC-T | Flat/Transparent |
| FC-T4 | Flat/White |
| SR-T | Square Raised/Transparent |
| SR-T4 | Square Raised/White |
| SH-T | Square/Transparent |
| SH-T4 | Square/White |
| SH-T5 | Square/Transparent Black |
| RH-T | Round/Transparent |
| RH-T4 | Square/White |
| RH-T5 | Square/Transparent Black |

| | |
|--------|--------|
| CV0031 | Red |
| CV0032 | Yellow |
| CV0033 | Green |
| CV0034 | White |
| CV0036 | Orange |
| CV0037 | Blue |