



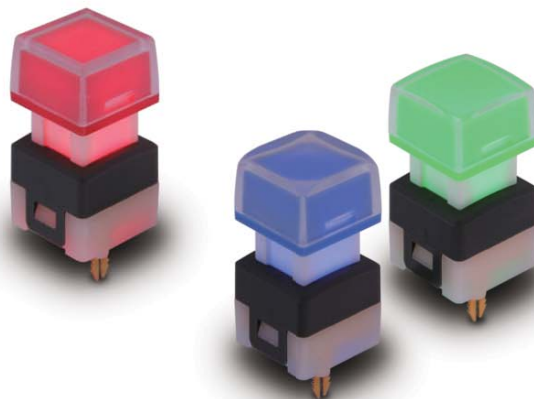
SHANPU CO.,LTD



# SPG

Illuminated Silent key Switch

LED 靜音開關，創新體驗。



行雲流水 滑順有感 Smooth Operation

鍍金雙接點 · 穩定耐用

Twin contacts with gold plating assure high reliability and long life

安靜無聲  
Silent operation

Z...Z...

LED照光顏色多變，可替換Cap

Available for choices with many kind of Leds and Caps

使用範圍  
音響、影像等錄音室器材設備

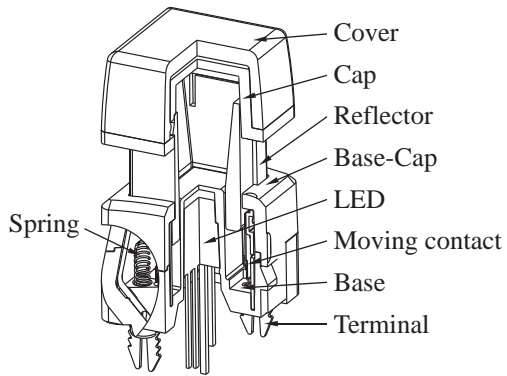
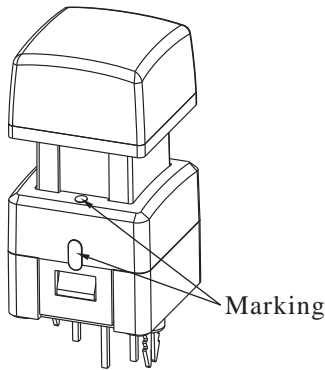
Application  
Audio · Video · studio equipment.

### General Specifications

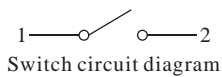
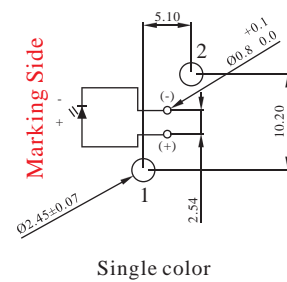
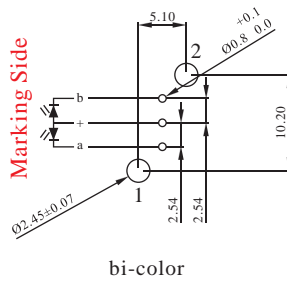
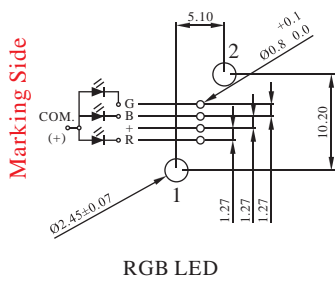
Current Rating	:50mA
Voltage Rating	:48VDC
Contact Resistance	:100m Ohm (initial)
Insulation Resistance	:100M Ohm Min.
Operating Force	:250gf ± 50gf
Total Travel	:4.5mm±0.20mm
Operating Life	:5,000,000 cycles Min.
Solder Specifications	:260 deg. for 3 seconds
Function	:Momentary(SPST)
Operating Temperature	:-25 deg.~+70 deg.

### Materials

Cover	:Polycarbonate (PC)
Cap	:Polycarbonate (PC)
Reflector	:Polyacetal (POM)
Base-Cap	:Polyamide (PA)
Moving contact	:SUS gold plating
Base	:Polyamide (PA)
Terminal	:Brass with gold plating
Spring	:SUS



## PCB Layout & Circuit Diagram

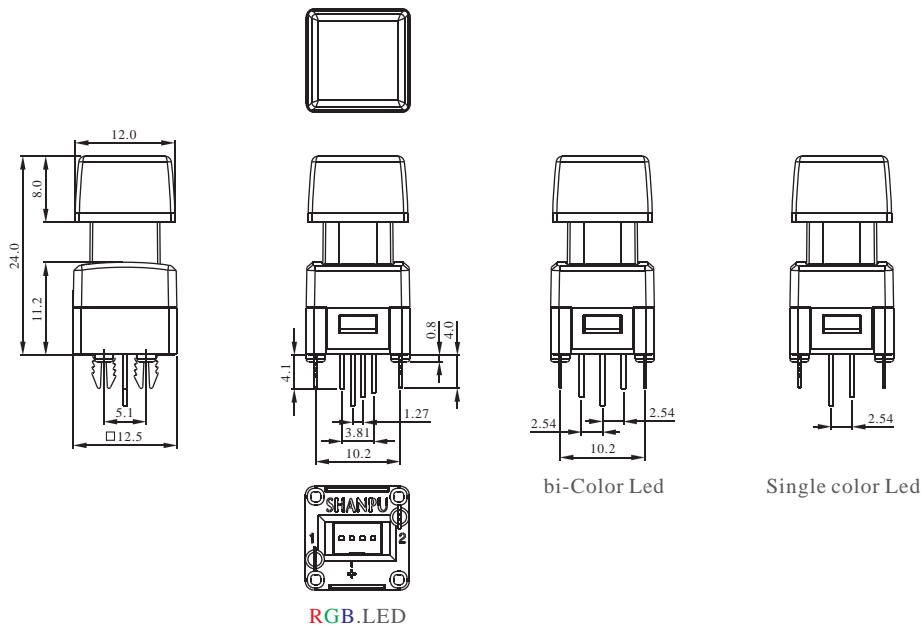


LED color VS. Pin out

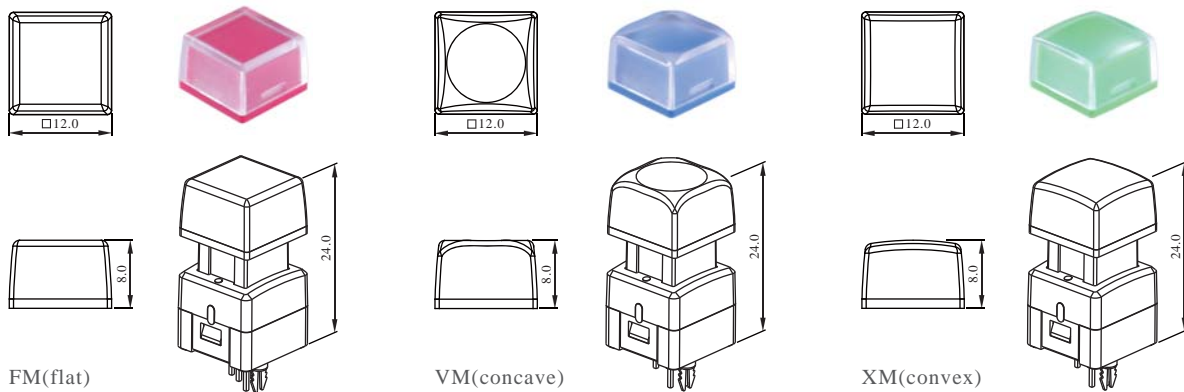
LED	Pin	a	b
12		Red	Yellow
1P3		Red	Pure Green
17		Red	Blue
2P3		Yellow	Pure Green
27		Yellow	Blue
P37		Pure Green	Blue



Dimension



Cover style



How to Order

SPG 3



LED Color	
01	Red
02	Yellow
P3	Pure Green
04	White
07	Blue
12	Red/Yellow
1P3	Red/Pure Green
17	Red/Blue
2P3	Yellow/Pure Green
27	Yellow/Blue
P37	Pure Green/Blue
RGB	Red/Pure Green/Blue

Cap Colors	
1	Red
2	Yellow
3	Green
4	White
6	Orange
7	Blue

Cover style	
FM	Flat Matt
VM	Concave Matt
XM	Convex Matt

