

AC Current Transducer CVI 500S

$I_{PN}=5-15-30-50A$

Transducer for the electronic measurement of AC sinusoidal waveforms, with galvanic isolation between the primary (High power) and the secondary circuit (Electronic circuit).

LEAD FREE



RoHS
COMPLIANT



● Operating performances ($AT=25^{\circ}C$)

Primary current	I_{PN}	0~5/15/30/50	A
Output signal	I_{OUT}	4~20	mA/dc
Supply voltage ($\pm 5\%$)	V_{CC}	18-35	Vdc
Load resistance	R_L	<250	Ω
Accuracy (40%---100% Primary current)	ϵ_L	± 2	%
RMS Isolation voltage test, 50Hz, 1min	X	2	KV
Frequency bandwidth	f	50-60	Hz

● General data

Operating temperature	T_O	-25~+70 $^{\circ}C$	
Storage temperature	T_S	-40~+80 $^{\circ}C$	
Operating Humidity		0 - 95	% RH
Storage Humidity (Non-Condensing)		0 - 98	% RH
Mass	m	120g	
Note		Insulated plastic case recognized according to UL 94-V0	

● Features

◆AC sinusoidal measurement	◆Panel mounting
◆Average responding	◆Voltage output

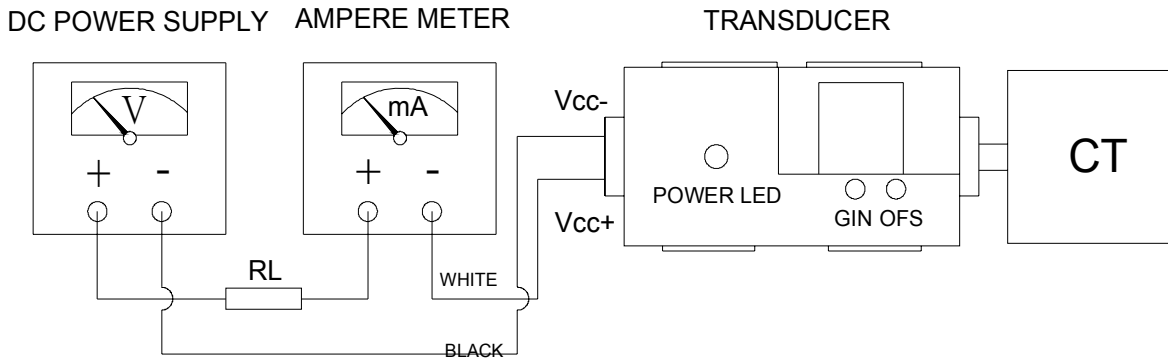
● Applications

◆ Automation systems	Analog current reading for remote monitoring(e.g.motor)
◆ Panel meters	Simple connection displays power consumption.

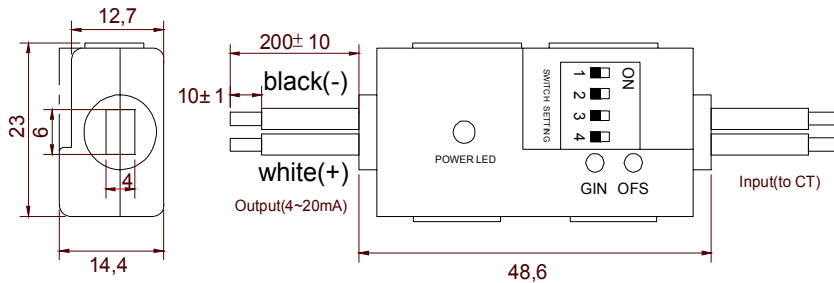
● Advantages

◆Easy to mount	◆High isolation between primary and secondary circuits
----------------	--

● **Connection**

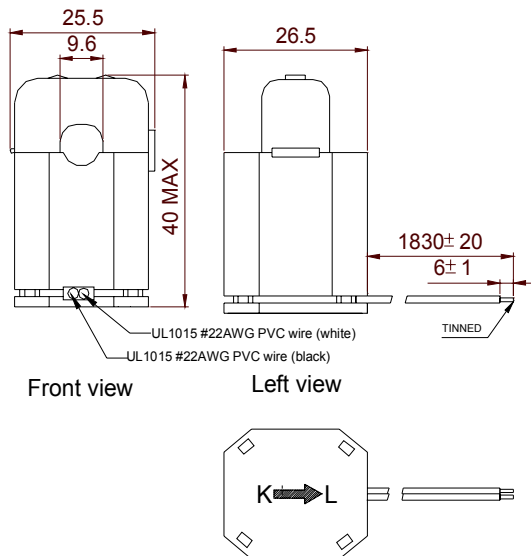


● **Dimensions (unit: mm)**



DIP SWITCH SETTING

1	ON	0-5 Amps = 1ON
2	ON	0-15Amps = 2ON
3	ON	0-30Amps = 3ON
4	ON	0-50Amps = 4ON



● **Remarks**

- ◆ Temperature of the primary conductor should not exceed 60°C