

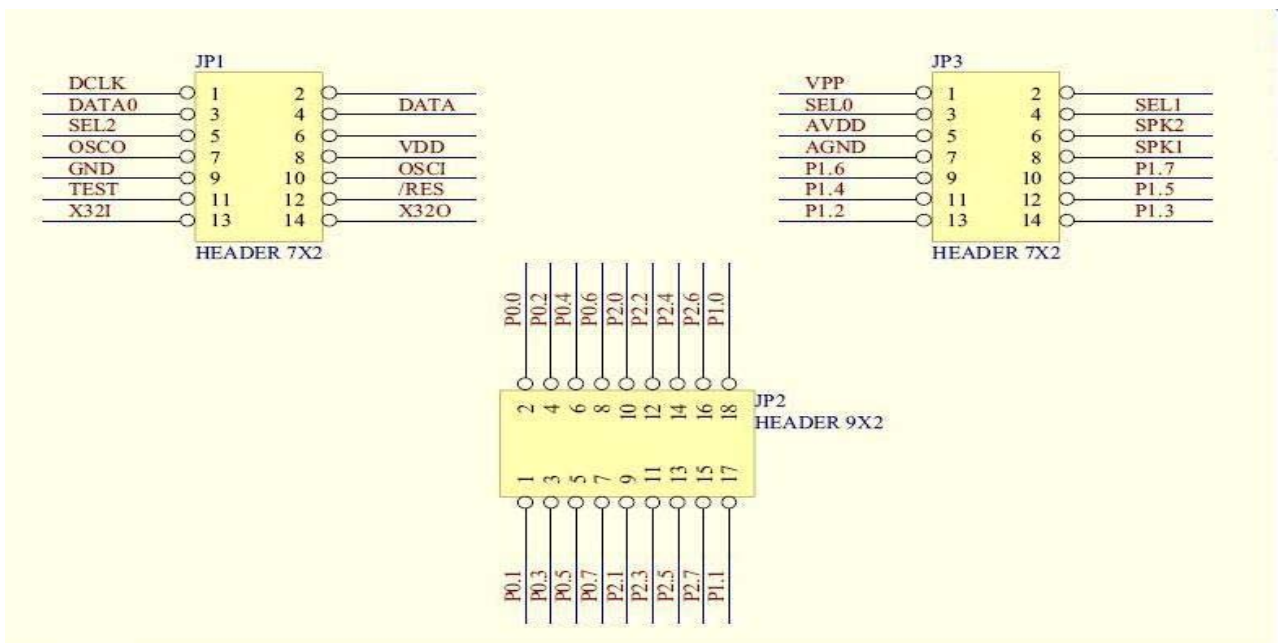


How To Use ZT101 MCU Module

Picture:



Pin Assignment:



This document contains information on a new product under development by ZONTER. ZONTER reserves the right to change this product without notice.

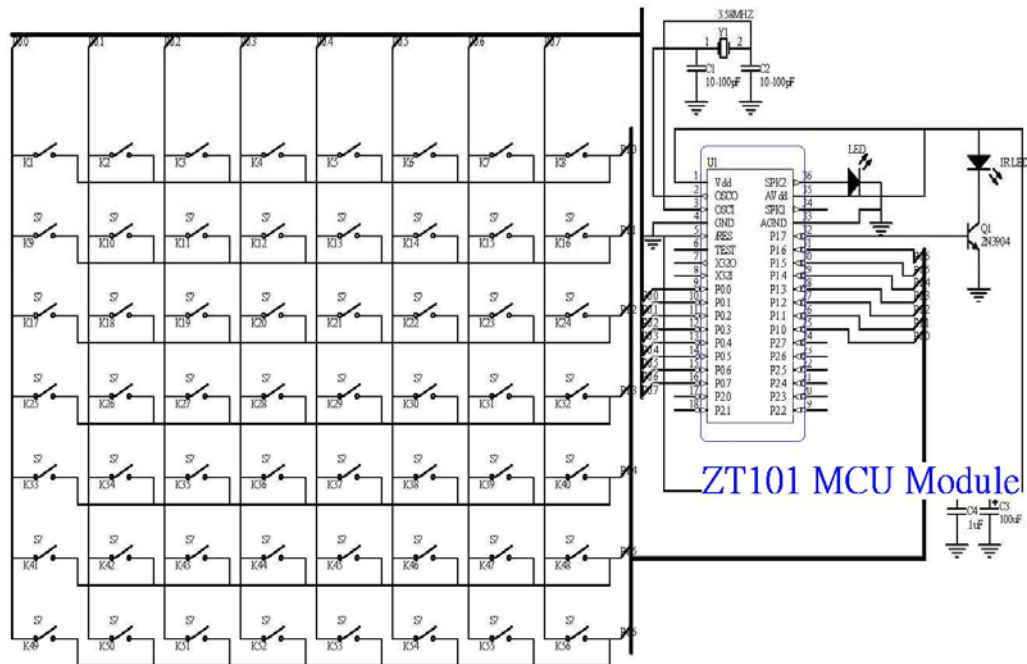
@ZONTER Industrial Co.,Ltd. 2005 All rights reserved. <http://www.zonter.com.tw> Fax:886-7-3890926

Tel:886-7-3829950

P.1

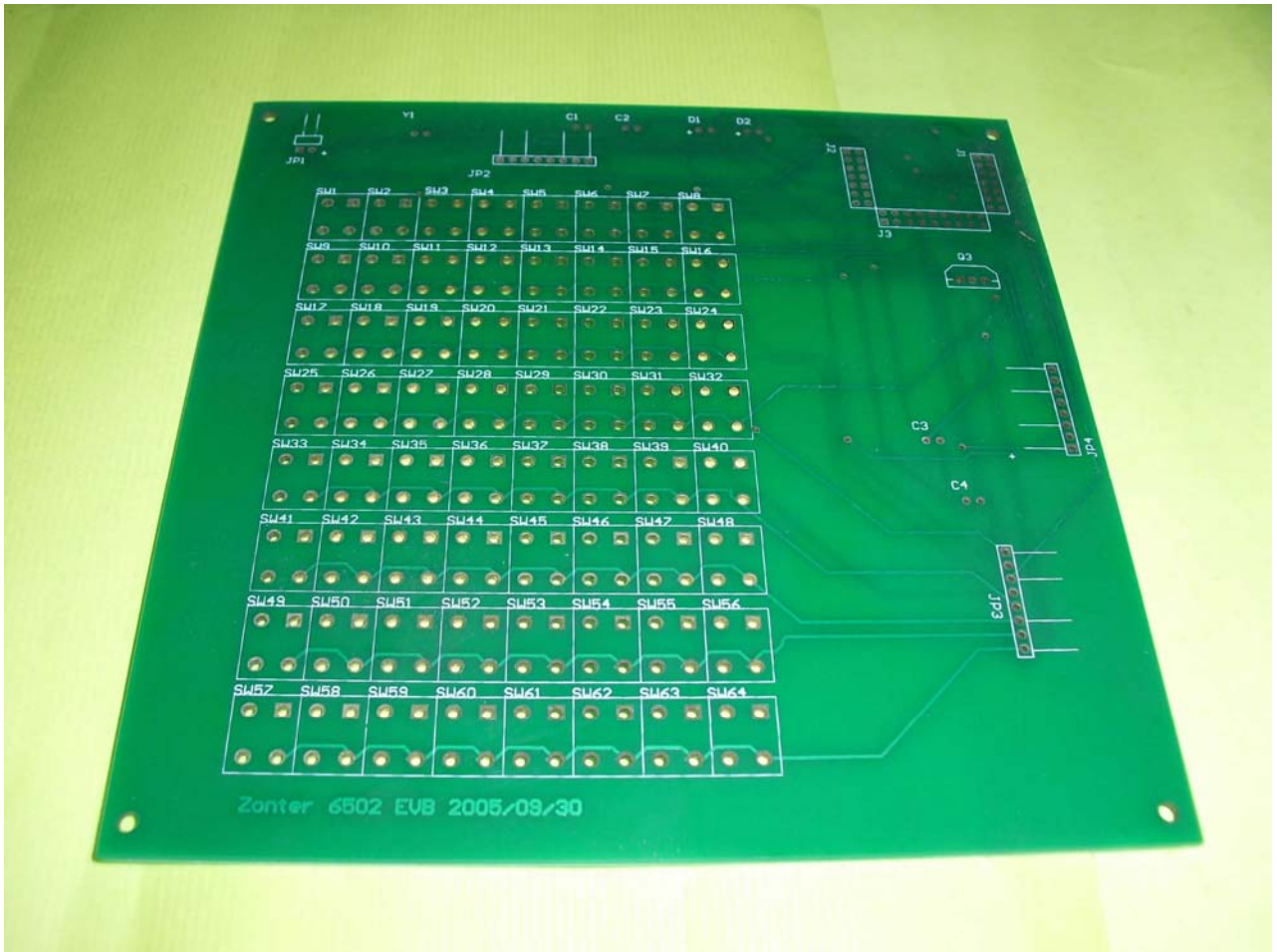


ZT101 MCU Module Application circuit





ZT101 MCU EVBoard



JP1:3V(Battery) Y1:3.58M Resonator C1:47p C2:47p
J1 J2 J3→ ZT101 MCU Module
Q3:3904 C3:104 C4:47u
JP2 JP3 JP4 no use
SW1..SW56 Switch



Key functions:

Device Key: (※Device Key No sending any IR signal)

Key Name	Device Name	Code Number
K1	TV1	255
K2	VCR1	255
K3	CBL1	198
K4	AUX1	249
K5	TV2	113
K6	VCR2	255
K7	CBL2	198
K8	AUX2	249

Key functions: (for TV and CBL)

Key Name	TV(CBL)	Function Description
K9	POWER	POWER
K10	CH+	Channel Up
K11	CH-	Channel Down
K12	0/10	0 or 10
K13	1	1
K14	2	2
K15	3	3
K16	4	4
K17	5	5
K18	6	6
K19	7	7
K20	8	8
K21	9	9
K22	A_V	
K23	MUTE	
K24	VOL+	
K25	VOL-	
K26	DISPLAY	
K27	SELECT	
K28	ENTER	
K29	+	Increase
K30	-	Decrease



K31	LCR	Last Channel Recall
K32	CATV	
K33	MENU	
K34	SLEEP	
K35	TIME	
K36	MTS	Multi Language change
K37	11/1-	11 or 1-
K38	12/2-	12 or 2-
K39	AUDIO	Special function
K40	PA	Special function
K41	PGM	Special function
K42	MODE	Special function
K43	INPUT	Special function
K44	TXT	Special function
K45	SAT	Special function
K56		SETUP key

Key functions: (for VCR and AUX)

Key Name	VCR(AUX)	Function Description
K9	POWER	POWER
K10	CH+	Channel Up
K11	CH-	Channel Down
K12	0/10	0 or 10
K13	1	1
K14	2	2
K15	3	3
K16	4	4
K17	5	5
K18	6	6
K19	7	7
K20	8	8
K21	9	9
K22	A_V	
K23	MUTE	
K24	VOL+	
K25	VOL-	



K26	DISPLAY	
K27	SELECT/MENU	
K28	ENTER/SURE	ENTER or SURE
K29	+ /UP	Increase or UP
K30	- /DN	Decrease or DOWN
K31	LCR/LEFT	LCR or LEFT
K32	CATV/RIGHT	CATV or RIGHT
K33	MENU/MODE	MENU or MODE
K34		Fast Forward
K35	TIME/CLEAR	TIME or CLEAR
K36	MTS/AUDIO	MTS or AUDIO
K37	11/1-	11 or 1-
K38	12/2-	12 or 2-
K39		Backward
K40		RECORD
K41	PGM/TITLE	PGM or TITLE
K42		PLAY
K43		PAUSE
K44		STOP
K45	SAT/SUB	SAT or SUBTITLE
K56		SETUP

※ K56 is SETUP key.



Operating methods:

SETUP PROCEDURE (Before (A) or (B) procedure please press device key—TV1 TV2 VCR1 VCR2 CBL1 CBL2 AUX1 AUX2)

(A) BY 3 digit number Method

- (1) From BRAND LIST to find 3 digit number under your brand.
- (2) Press SETUP(key) with POWER(or ENTER key) and then release both keys LED will be light on (if no input any number within 8 seconds it will be off)
- (3) Input 3 digit number (if number out of range,it will flash 3 times)
- (4) Test key function if not OK back to (1) find another 3 digit number from BRAND LIST try it again.

(B) AUTO SCAN Method(I)

- (1) It is not necessary to remember BRAND LIST 3 digit number
- (2) Before AUTO SCAN , let your device at power on state
- (3) Press SETUP(key) with CH+(key) and then release both keys,LED will flash every 2 seconds,it mean the remote control begin to AUTO SCAN.(Your remote control point to your device)
- (4) Pay attention to your device ,if it power off,press any key to stop AUTO SCAN within 1 seconds.(*Over 1 second it will scan next number)
- (5) Test key function ,if no OK,try back to (3) again.

(C) AUTO SCAN Method(II)

- (1) Press SETUP(key) with TV1(device key) and then release both keys,LED will flash every 2 seconds,it mean the remote control begin to AUTO SCAN under TV1.(Your remote control point to your device)
- (2) Pay attention to your device ,if it power off,press any key to stop AUTO SCAN within 1 seconds.(*Over 1 second it will scan next number)
- (3) Test key function ,if no OK,try back to (1) again.

If you are going to check device 3 digit number you already setup:

- (1) Press SETUP(key) with 1(key) then count LED flash times, for example flash 3 times that is mean the first digit number is “3”
- (2) Press SETUP(key) with 2(key) then count LED flash times, for example flash 5 times that is mean the second digit number is “5”
- (3) Press SETUP(key) with 3(key) then count LED flash times, for example no flash that is mean the third digit number is “0”

Press SETUP Keys	Function
SETUP+POWER(or ENTER)	3 digit number setting method
SETUP+TV1	TV1 AUTO SCAN method
SETUP+CH+	AUTO SCAN method after press device key
SETUP+1 or 2 or 3	Display SETUP code number