

B5 Series



Features

- Use isolated power transformer
- Fully Integral Design
- No UV light
- Low Power Consumption
- Long Life
- Excellent thermal performance

Applications

- Entertainment lighting
- Architectural lighting
- Landscape lighting
- Interior Commercial lighting
- Residential / Offices / Hotels / Restaurants lighting
- Art galleries / Indoor / General / Floor lighting

Absolute Maximum Ratings

Parameter	Symbol	Rating	Unit
Input Voltage	V_{rms}	100Vac~240Vac	V
LED Junction Temperature	T_j	125	°C
Luminous Flux	Φ_V	250	lm
Plastic bottom Temperature	T_c	75	°C
Operating Temperature	T_{opr}	-30 ~ 40	°C
Storage Temperature	T_{stg}	-30 ~ 60	°C
Heatsink Temperature (30°C)	T_h	60	°C

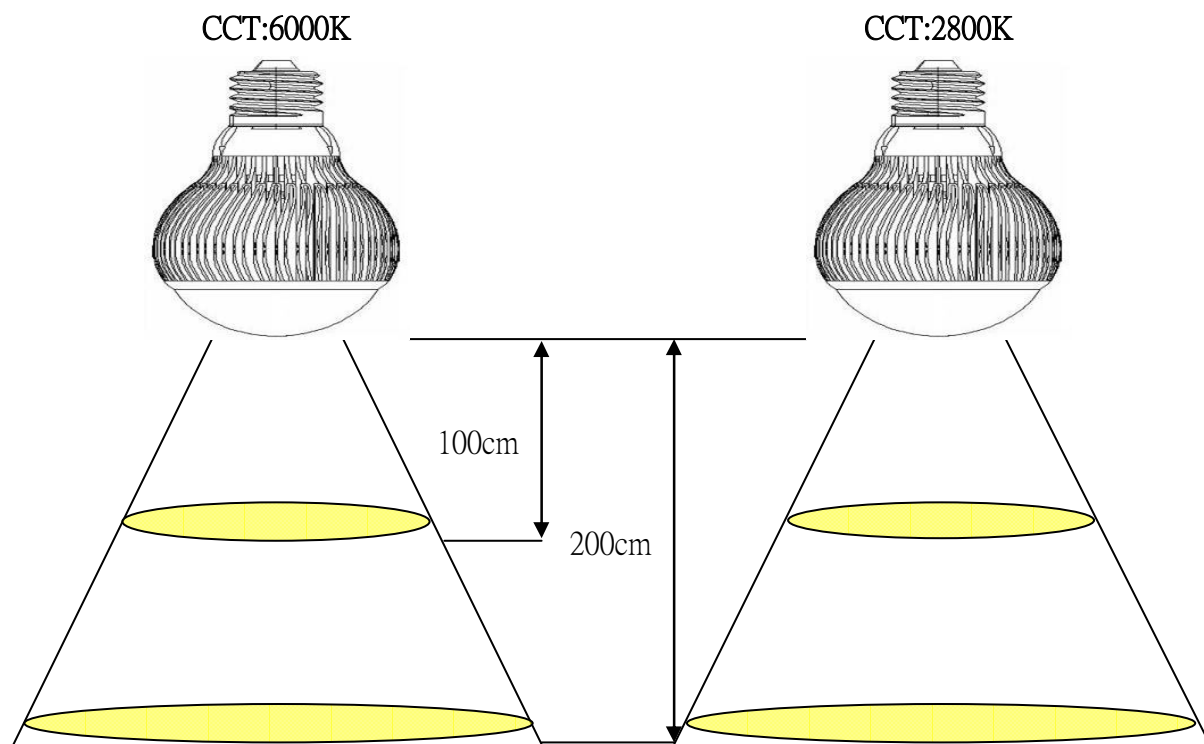
Product Nomenclature

B5 - 5 NW A
a b c d

<u>a</u> Item		<u>b</u> Power		<u>c</u> Color		<u>d</u> Angle	
Code	Type	Code	Type	Code	Type	Code	Type
B5	B5	5	5W	NW	Neutral White	A	130°
				WW	Warm White		

B5 Series

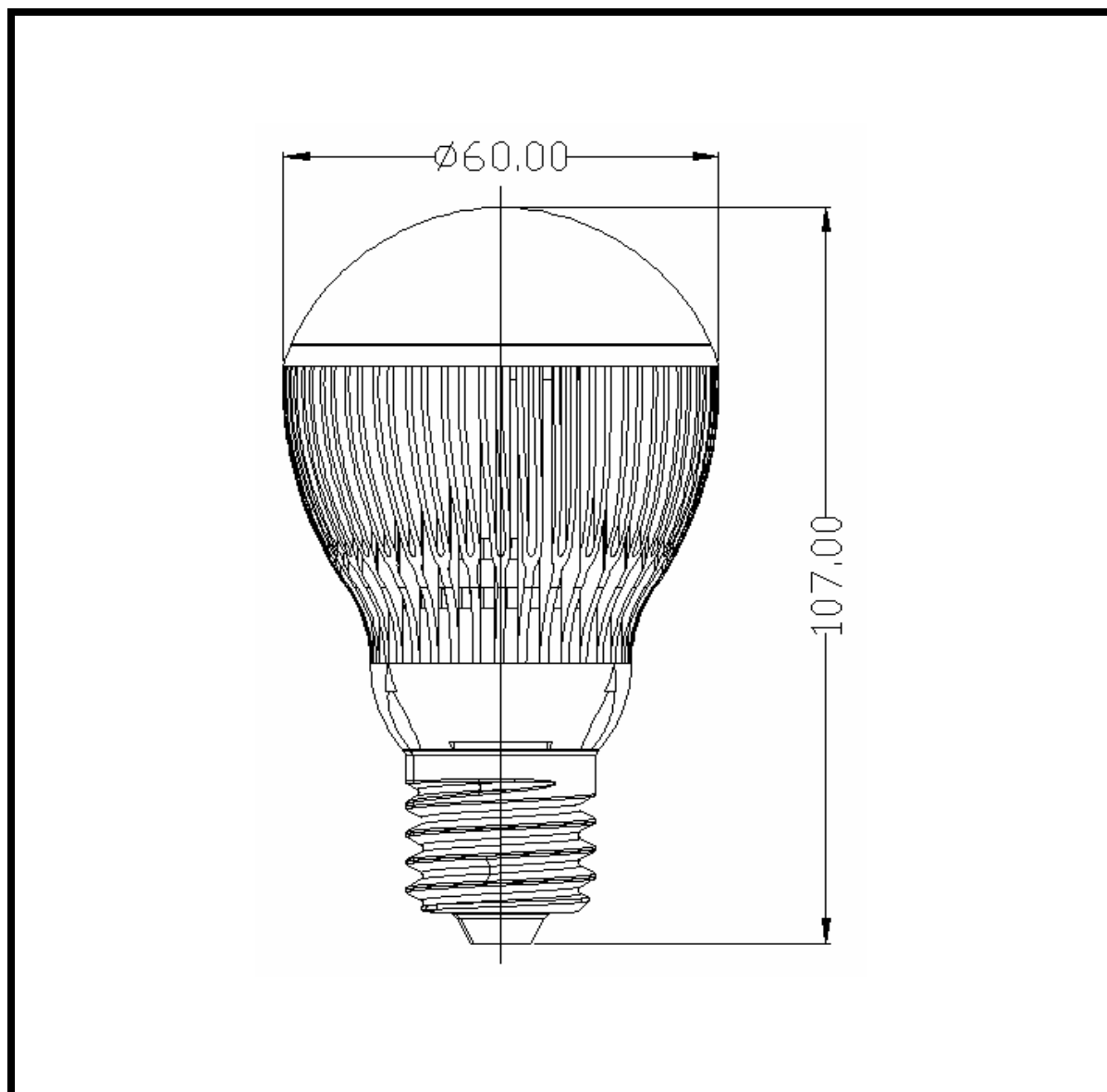
Optical Performance



	130°		Unit
	Neutral White	Warm White	
Illuminance @100cm		85	lux
Illuminance @200cm		25	

B5 Series

Product Dimensions Unit : mm



Base Type

- E27

Note

- Indoor use only
- Do not use this product with ambient temperature over 40 °C