

AR111 Series



Features

- No UV light
- Low Power Consumption
- Long Life
- Excellent thermal performance

Applications

- Entertainment lighting
- Architectural lighting
- Interior Commercial lighting
- Residential / Offices / Hotels / Restaurants lighting
- Art galleries / Indoor / General

Absolute Maximum Ratings

Parameter	Symbol	Rating	Unit
Input Voltage	V_{rms}	100Vac~240Vac	V
LED Junction Temperature	T_j	125	°C
Luminous Flux	ΦV	650	lm
Operating Temperature	T_{opr}	-30 ~ 50	°C
Storage Temperature	T_{stg}	-30 ~ 80	°C
Heatsink Temperature (30°C)	T_h	60	°C

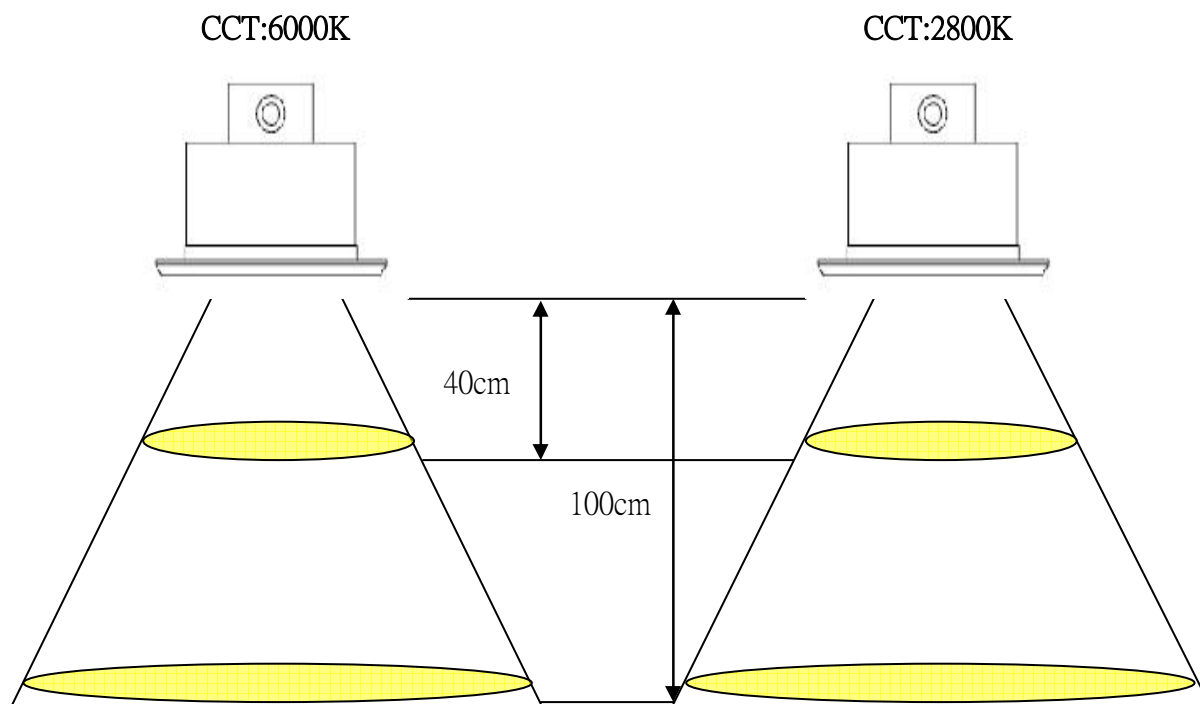
Product Nomenclature

AR111 - 10 NW A
a b c d

<u>a</u> Item		<u>b</u> Power		<u>c</u> Color		<u>d</u> Angle	
Code	Type	Code	Type	Code	Type	Code	Type
AR111	AR111	10	10W	NW	Neutral White	A	15°
				WW	Warm White	B	30°
						C	60°
						D	120°

AR111 Series

Optical Performance

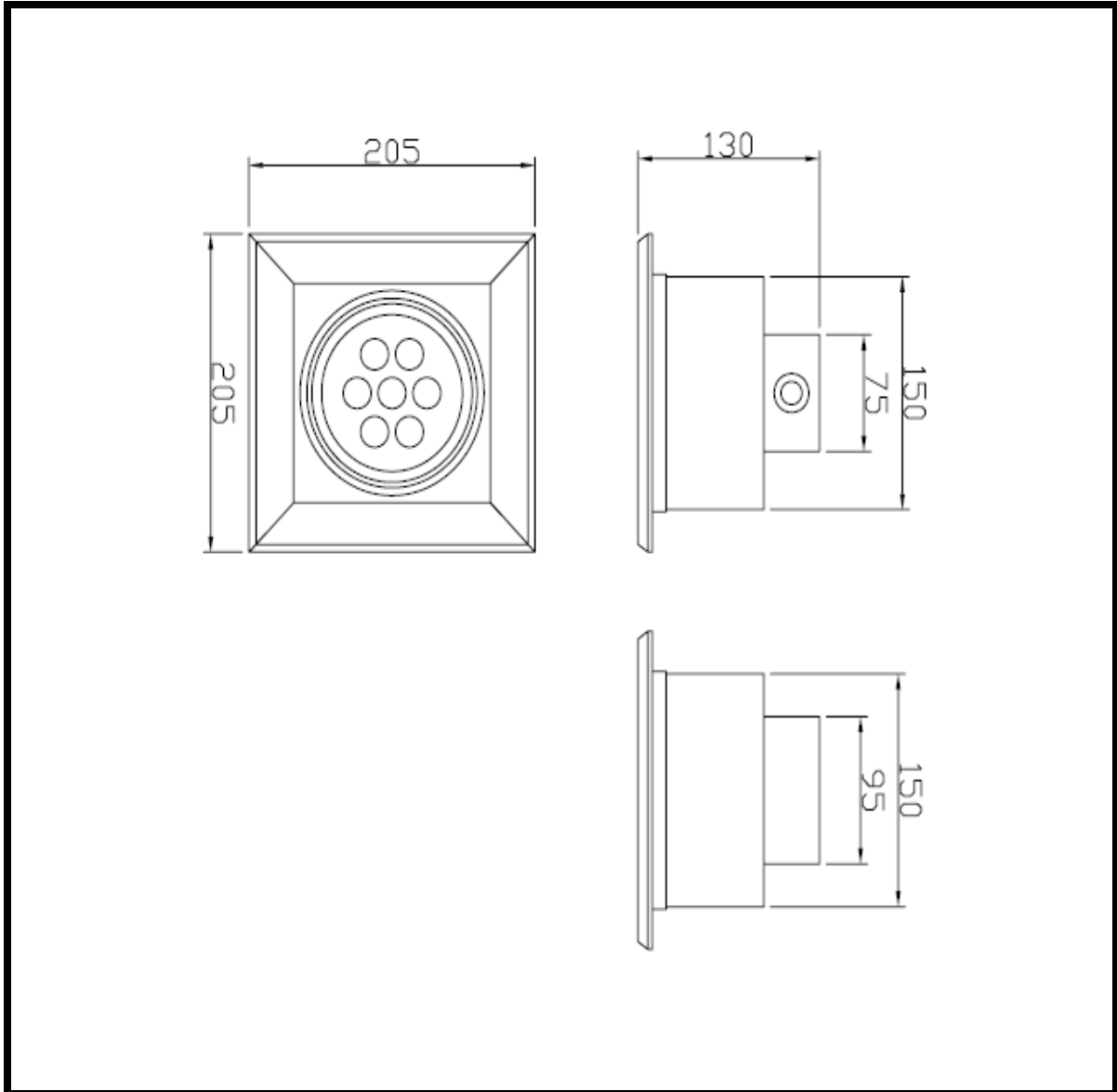


	15°		30°		60°		Unit
	Neutral White	Neutral White	Neutral White	Warm White	Neutral White	Neutral White	
Illuminance @40cm							lux
Illuminance @100cm							

	120°						Unit
	Neutral White	Neutral White					
Illuminance @40cm							lux
Illuminance @100cm							

AR111 Series

Product Dimensions



Base Type

- 2PIN

Note

- Indoor use only
- Do not use this product with ambient temperature over 50 °C

