



# KSR-12001

## 1U rack mount 20.1" LCD console

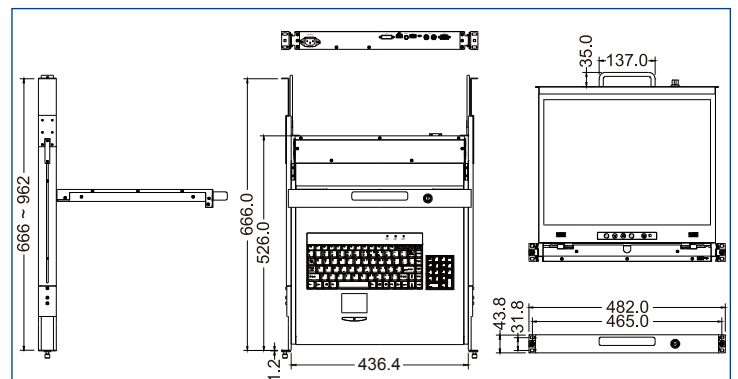
KSR-12001 provides industrial level input solution to optimize your space utilization by controlling your system in just 1U rack space.



## Features

- Single rail easy to install and use
- Support Sun native resolution
- Support 17 various keyboard languages
- Bright Active Matrix TFT display
- OSD function (On Screen Display) for LCD display
- Durable keyboard with touchpad
- Panel protected by tempered glass
- Provide front USB port to easy use
- Support USB / DVI interface
- Audio function (optional)

## Dimension



## Specification

Model Name	KSR-12001
System Connections	1
Dimension	527.2 x 436.4 x 43.8 mm / 20.8 x 17.2 x 1.7 inches
Package Dimension	827 x 564 x 206 mm / 32.6 x 22.2 x 8.1 inches
Display Size	20.1 inches
Panel Type	Active Matrix TFT LCD
Resolution Capabilities	Maximum Resolution up to 1600 x 1200 (UXGA)
Pixel Pitch	Supports 0.255 mm x 0.255 mm
Active Display Area	Horizontal: 408.0 mm Vertical: 306.0 mm
Viewing Angle (CR>10)	Right-Left view 178' (Typ) Up-Down View 178' (Typ)
Contrast Ratio	700 : 1
Brightness	300 cd/m <sup>2</sup>
Back Light	Six Lamps for Back Light
Supported Colors	16.7M Colors (RGB 8-bit data)
Response Time	Rising Time 7 ms , Falling Time 9 ms
Operating System	Dos, Windows (3.1, 9x, 2000, NT4, ME, XP, 2003 Server) Linux, Novell 3.12-6, HP UX, SUN
Multi Platform	Support PS/2 and USB
Connectors	1 x VGA HDBB-15 pin, 2 x PS/2 Mini Din 6 pin, 2 x USB, 1 x DVI, 1 x AC Inlet, 1 x PS/2 - USB select, 1 x Audio line in (optional)
Keyboard Mouse	106 key PS/2 keyboard with touch pad
Power Consumption	35W
Temperature	Operate 0 ~ 50 °C / 32 ~ 122 °F Storage -20 ~ 60 °C / -4 ~ 140 °F
Humidity	10% ~ 90% RH
Chassis Construction	Heavy duty steel materials
Keyboard Language	US, UK, German, French, Spanish, Italian, Portuguese, Dutch, Swiss, Belgium, Swedish, Norwegian, Danish, Japanese, Mandarin, Russian, Hebrew

## Options

Color (Black / Beige / OEM color)

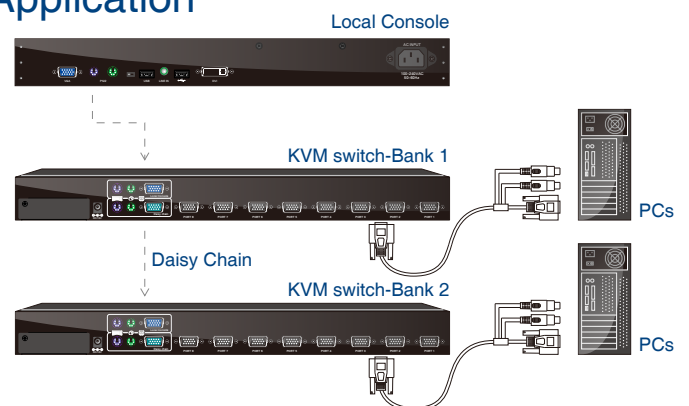
Additional SUN function key

Rear bracket extension up to 1000mm

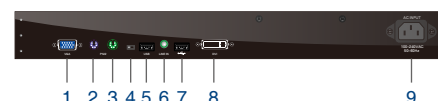
Signal cable 1.8m / 3.0m / 5.0m

Audio function

## Application



## I/O Diagram



1. VGA port
2. PS/2 keyboard
3. PS/2 mouse
4. PS/2-USB select
5. USB 2.0 port
6. Audio line in (optional)
7. USB 2.0 port (front USB)
8. DVI port
9. AC inlet