

Unicorn 19W

1U rack mount 19" wide-screen LCD console with front USB port

Unicorn series Single Rail consoles offer industrial level input solution to optimize your space utilization by controlling your systems in just 1U. With the unique modular design, you can easily integrate more than 18 models of KVM switches with different functions and expand the connections up to 8 levels of the KVM switches.

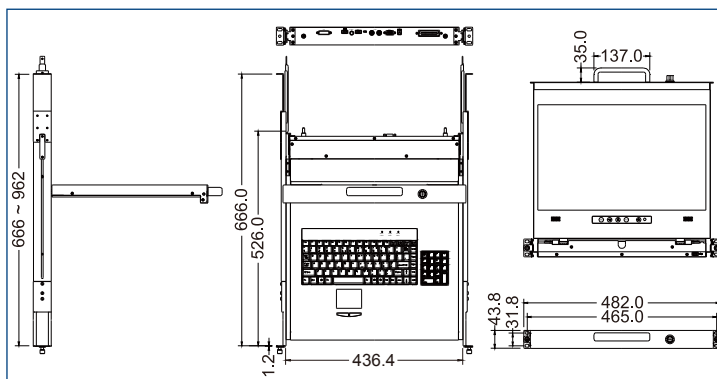


- Single Rail
- Wide Screen
- 19" TFT LCD
- Modular Design KVM Switch
- DVI USB Interface
- Front USB Port
- 17 Various Keyboard

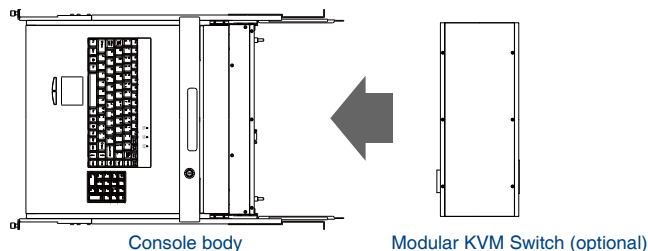
Features

- Support 19" wide-screen LCD panel
- Single rail easy to install and use
- Provide front USB port to easy use
- Support USB / DVI interface
- Integration with more than 18 models of KVM switches
- With our fully modular IP & CAT5 modules, our customers can create 15 models of KVM Switch from 5 basic models
- Support Sun native resolution
- Support 17 various keyboard languages
- Bright Active Matrix TFT display
- OSD function (On Screen Display) for LCD display
- Durable keyboard with touchpad
- Panel protected by tempered glass
- Audio function (optional)

Dimension



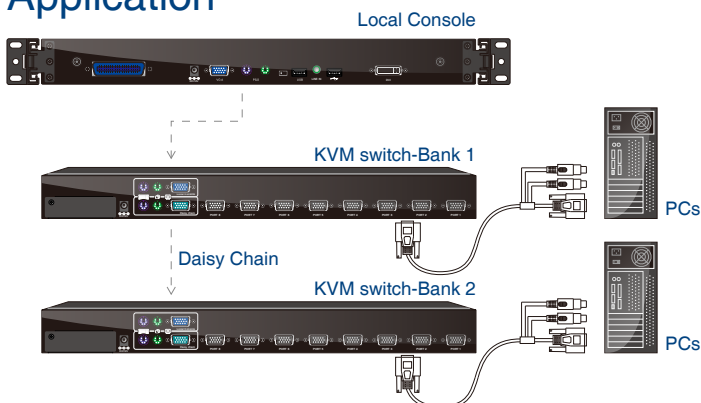
Usage Diagram



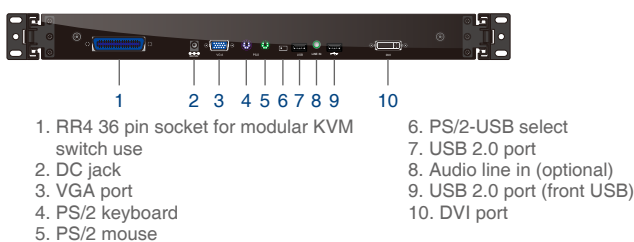
Specification

Model Name	Unicorn 19W
System Connections	1
Dimension	527.2 x 436.4 x 43.8 mm / 20.8 x 17.2 x 1.7 inches
Package Dimension	827 x 564 x 206 mm / 32.6 x 22.2 x 8.1 inches
Display Size	19 inches wide-screen
Panel Type	Active Matrix TFT LCD
Resolution Capabilities	Maximum Resolution up to 1440 x 900 (WXGA)
Pixel Pitch	Supports 0.095 (H)mm x 0.285 (V)mm
Active Display Area	Horizontal: 410.4 mm Vertical: 256.5 mm
Viewing Angle (CR>10)	Right-Left view 160° (Typ) Up-Down View 160° (Typ)
Contrast Ratio	850 : 1 (Typ)
Brightness	300 cd/m ²
Back Light	Four Lamps for Back Light
Supported Colors	16.7M Colors (RGB 8-bit data)
Response Time	Rise Time 1.3 ms , Decay Time 3.7 ms
Operating System	Dos, Windows (3.1, 9x, 2000, NT4, ME, XP, 2003 Server) Linux, Novell 3.12-6, HP UX, SUN
Multi Platform	Support PS/2 and USB
Connectors	1 x VGA HDBB-15 pin, 2 x PS/2 Mini Din 6 pin, 2 x USB, 1 x DVI, 1 x DC jack, 1 x PS/2 - USB select, 1 x Audio line in (optional), 1 x RR4 36 pin socket
Keyboard Mouse	106 key PS/2 keyboard with touch pad
Power Consumption	35W
Temperature	Operate 0 ~ 50 °C / 32 ~ 122 °F Storage -20 ~ 60 °C / -4 ~ 140 °F
Humidity	10% ~ 90% RH
Chassis Construction	Heavy duty steel materials
Keyboard Language	US, UK, German, French, Spanish, Italian, Portuguese, Dutch, Swiss, Belgium, Swedish, Norwegian, Danish, Japanese, Mandarin, Russian, Hebrew

Application



I/O Diagram



* For the KVM switch's specification, please refer the datasheet of modular design KVM switch by your require.