

821E Flyer

Overview

821E is a powerful GPS Datalogger comes with the latest MTK II chipset works from your pocket, handbag and backpack. Flat design for easy to put inside the pocket of most bags. 821E allows you to log your route by setting the interval of time/ distance/ speed and intelligent auto gear function and motion sensor for smart logging to save memory and power. 5Hz update rate for high speed application recording. Easy to use and through user friendly utility, it can display the tracks on Google Earth/Map.



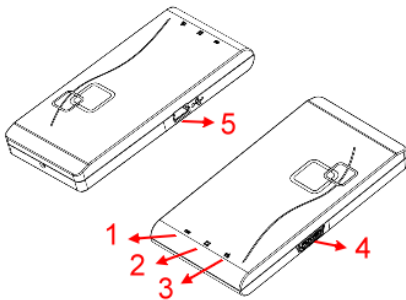
Key Features

- ⌘ Flat design for easy to put inside the packets
- ⌘ Built-in motion sensor for Auto ON / OFF
- ⌘ Auto Gear function for smart recording
- ⌘ 5Hz update rate for high speed applications
- ⌘ POI button to record waypoint manually
- ⌘ Log up to 250,000 waypoints
- ⌘ High receiving sensitivity with AGPS capability
- ⌘ Rechargeable battery for up to 25 hours usage
- ⌘ Friendly utility to manage routes and photos

Application

- ⌘ Record your travels
- ⌘ Manage trip records
- ⌘ Manage field team
- ⌘ Manage your trip photos
- ⌘ Race track record

● Appearance & Led indications.



1. Battery status LED (Green)(Red)		Green - always ON = Charging
		Green - OFF = Fully charged
		Red - always ON = Low battery
2. GPS LED (Orange)		Always ON = Not Fix and searching for satellite
		OFF = Power saving mode
		Blink every 2 seconds = GPS fix (smart log mode) Blink every 1 second = GPS fix (5Hz log mode)
3. Log/Memory LED (RED)		Always ON = Memory 90% full
		Quick blink 3 times = POI recorded
		Blink every 2 seconds = logging Blink every 5 seconds = power saving mode
4. Power switch / POI button		Push and hold for 4 seconds to turn ON/OFF 821E
		Push and hold for 2 seconds to turn ON/OFF 5Hz
		Push to record POI
5. USB Port		For power supply and data exchange

● Major functions

Built-in MTK II GPS	High performance GPS solution with A-GPS for instant fix less than 15 seconds.
Built-in 64Mb memory	Capacity for up to 250,000 waypoints recording.
5Hz update rate	Faster update rate to allow for high speed recording
Rechargeable Battery	750mA Li-ion battery for up to 25 hours operation time and 200 hours standby time.
Built-in motion sensor (This function is turned on as default and can be turned off by the provided software.)	For automatically start/ stop logging and smart power management and waypoint saving. (only work with smart log mode) 821E will enter sleep mode when it is static for 2 minutes and recover when motion is detected.
Built-in Mini USB port	For power charging and data exchange. Use USB cable to connect to power source to charge the battery. Connect to PC to download the logged data or upload the A-GPS EPO data. *Connect to Laptop via USB cable to work as a wired GPS receiver.
Built-in Auto Gear function	Log time interval will be changed according to the speed detected by the Device. Speed for each time interval can be programmed by the provided software.

● Specification

Category	Parameter	Description
General	GPS Chip	MTK 3329
	Frequency	L1,1575.42 MHZ
	C/A Code	1.023MHz chip rate
	Channels	66 CH for tracking
	Antenna	Built-in patch antenna with LNA
	Datum	WGS-84
Acquisition	Cold Start	35 sec, average
	Warm Start	34 sec, average
	Hot Start	1.5 sec, average
	AGPS	<15sec
Power	Battery	Li-ion
	Charging time	3 hrs (Typical)
	Operation Time	25 hrs
	Power Charge	Mini USB port 5 pins
Environmental	Operating	-10°C to +60°C
	Storage	-20°C to +60°C
	Charging	0°C to +45°C
	Relative Humidity	5% to 95% non-condensing
Accuracy (none DGPS)	Position	Without aid: 3.0m 2D-RMS DGPS: 2.5m, 2D-RMS
	Velocity	Without aid: 0.1m/s DGPS: 0.05m/s
	Sensitivity	-165dBm (tracking)
Dynamic	Altitude	<18,000m
	Velocity	<515m/sec
	Acceleration	4G
Interface	USB	Mini USB 5pin
Protocol	NMEA Output	NMEA-0183 (V3.01) - GGA, GSA, GSV, RMC (default) Data bit: 8, stop bit:1 (Default)
	Baud rate	115200
Physical	Dimension	93.5 x 46 x 10.8mm
	Weight	49g
Data Log	4MB memory	Record data: RCR/ Date/ Time/ GPS valid/ Latitude/ Longitude/ Altitude/ Speed · Heading. Log up to 250,000 way points.
Others	Sensor	Vibration sensor
	Power Switch	Power On/Off
	Certification	CE / FCC