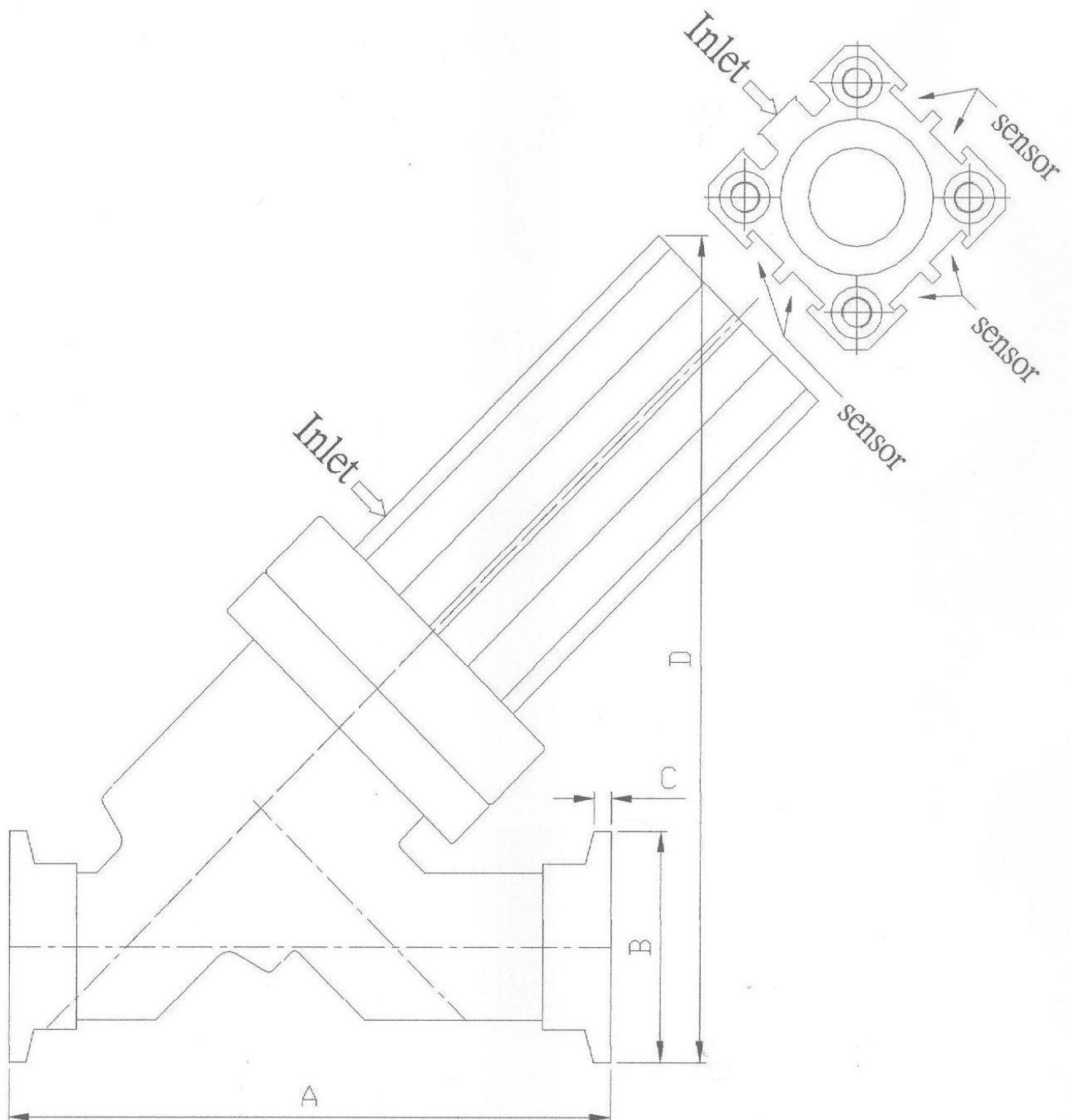
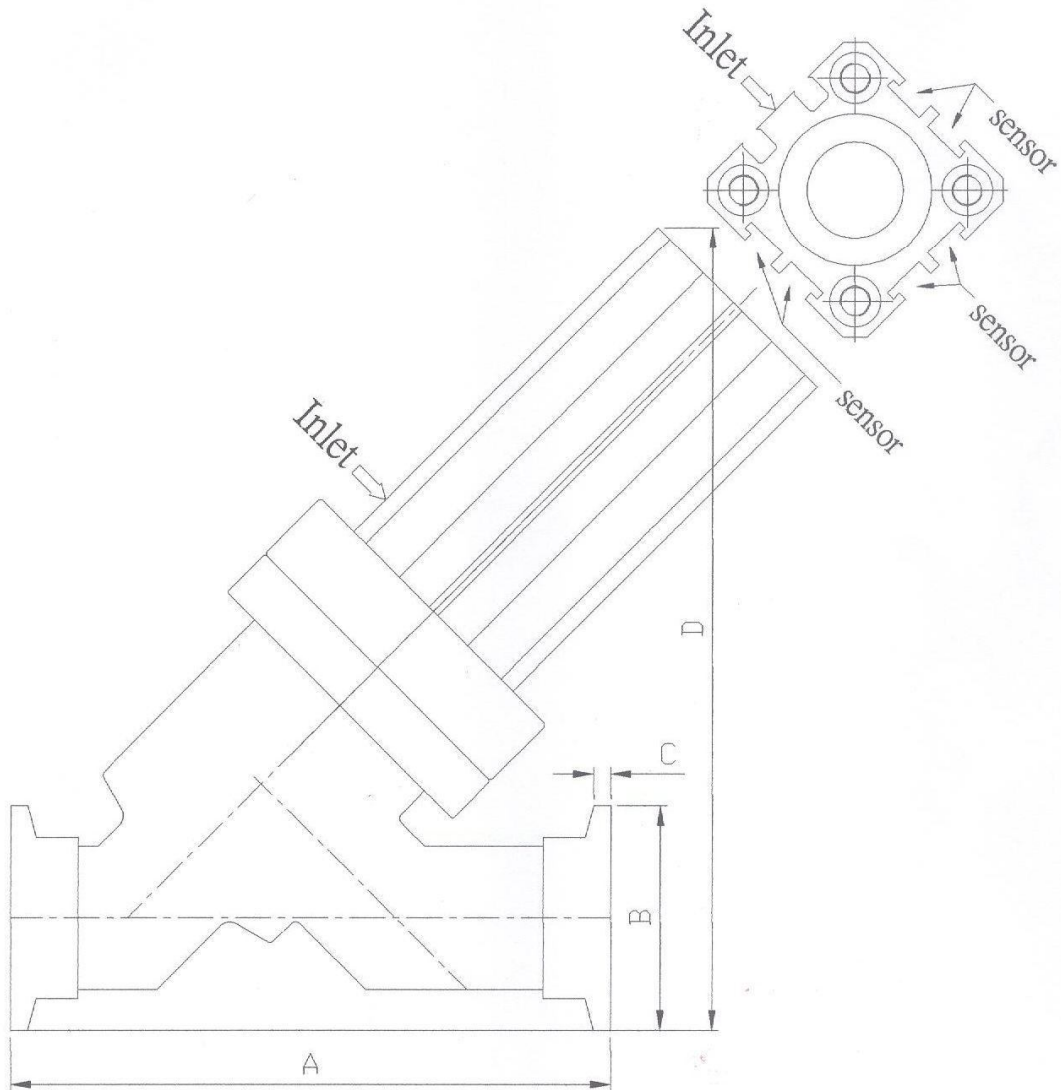


Angle Valve Dimension Normally closed Pneumatic 25 Valve



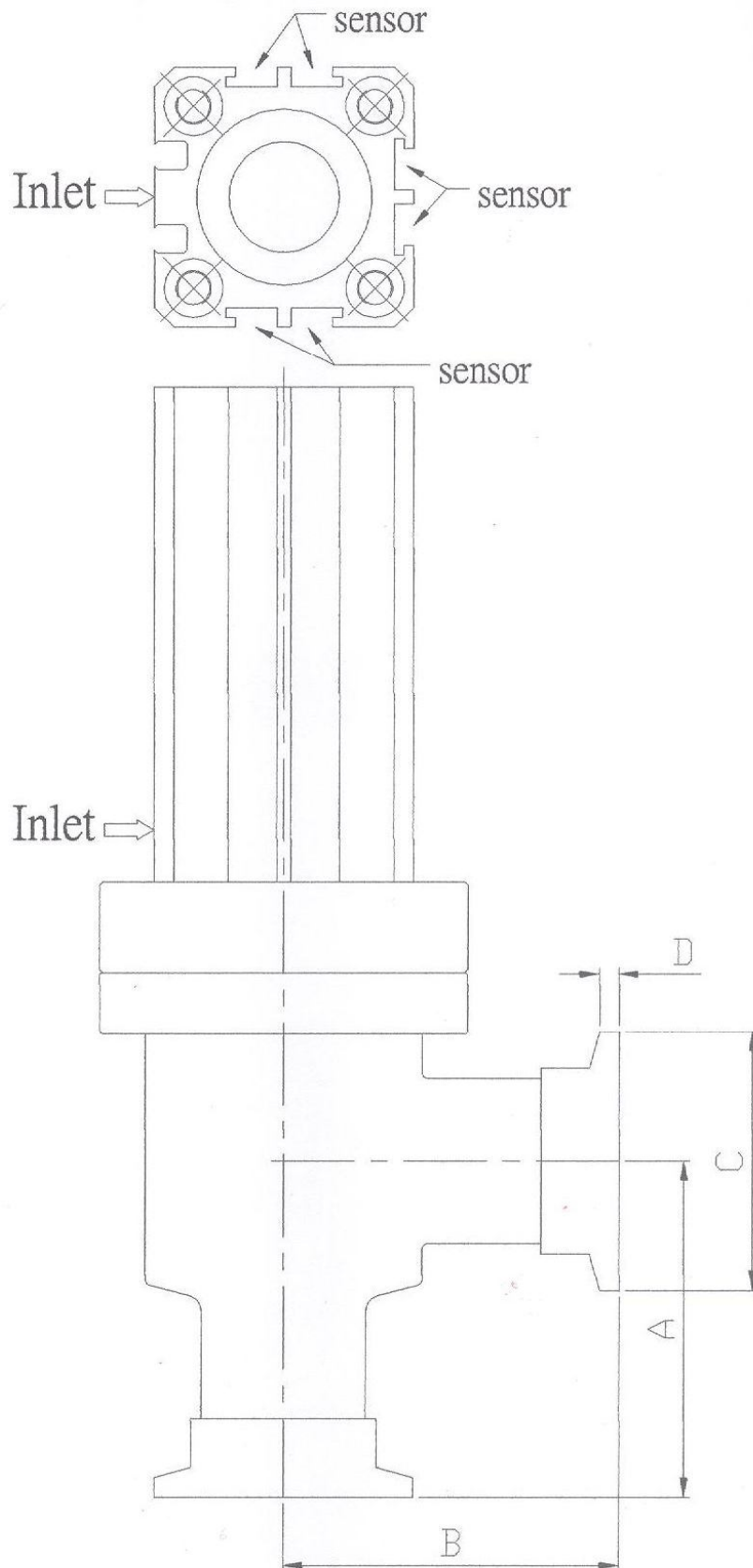
NONE SCALE

Angle Valve Dimension Normally closed Pneumatic 16 Valve



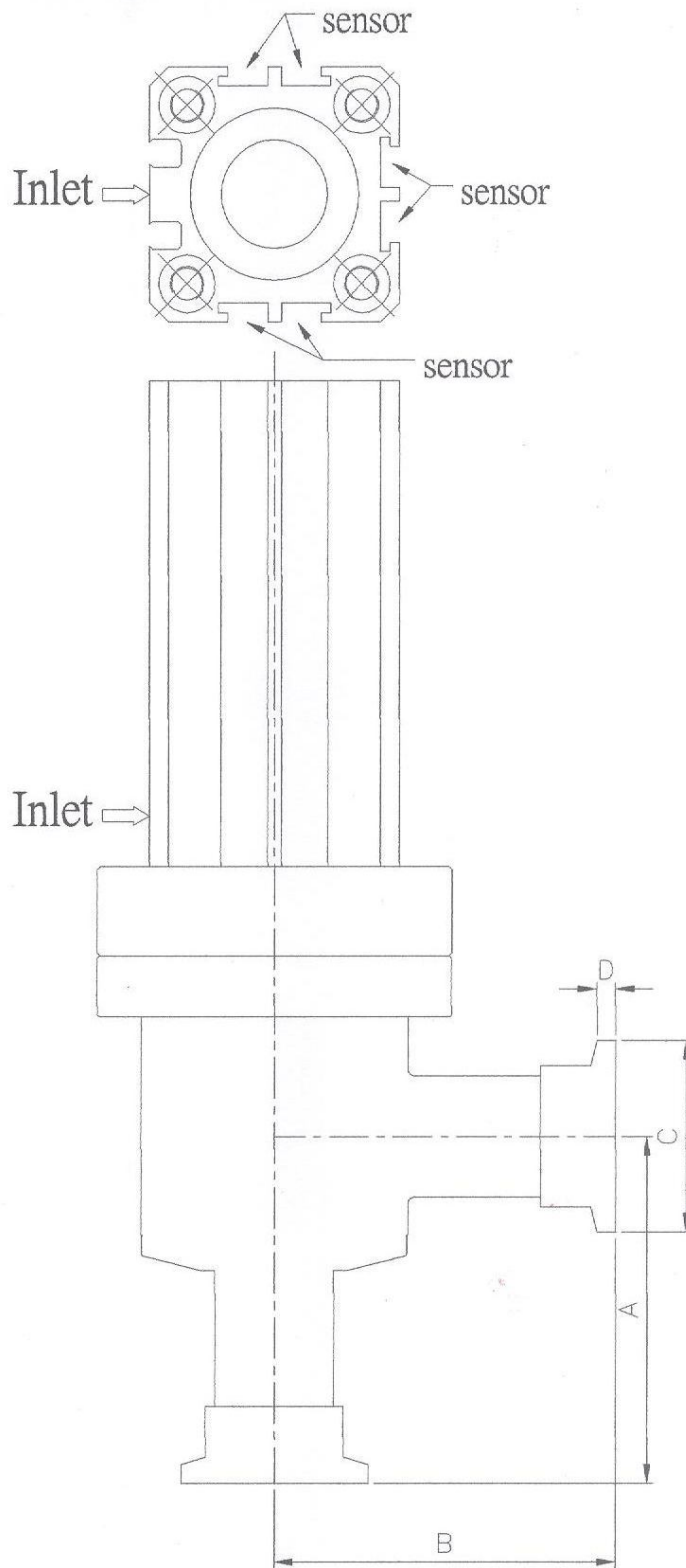
NONE SCALE

Angle Valve Dimension Normally closed Pneumatic 25 Valve



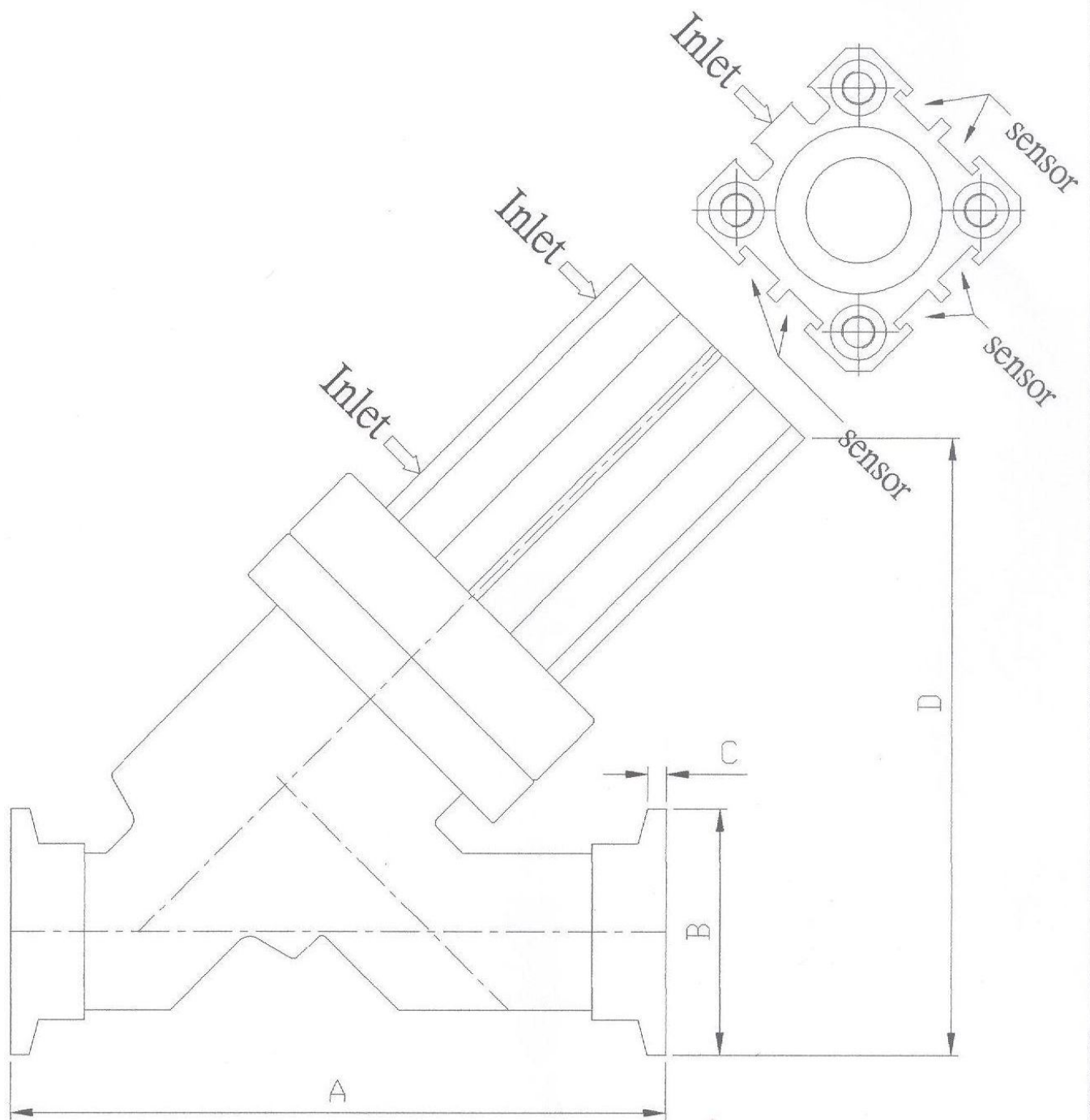
NONE SCALE

Angle Valve Dimension Normally closed Pneumatic 16 Valve



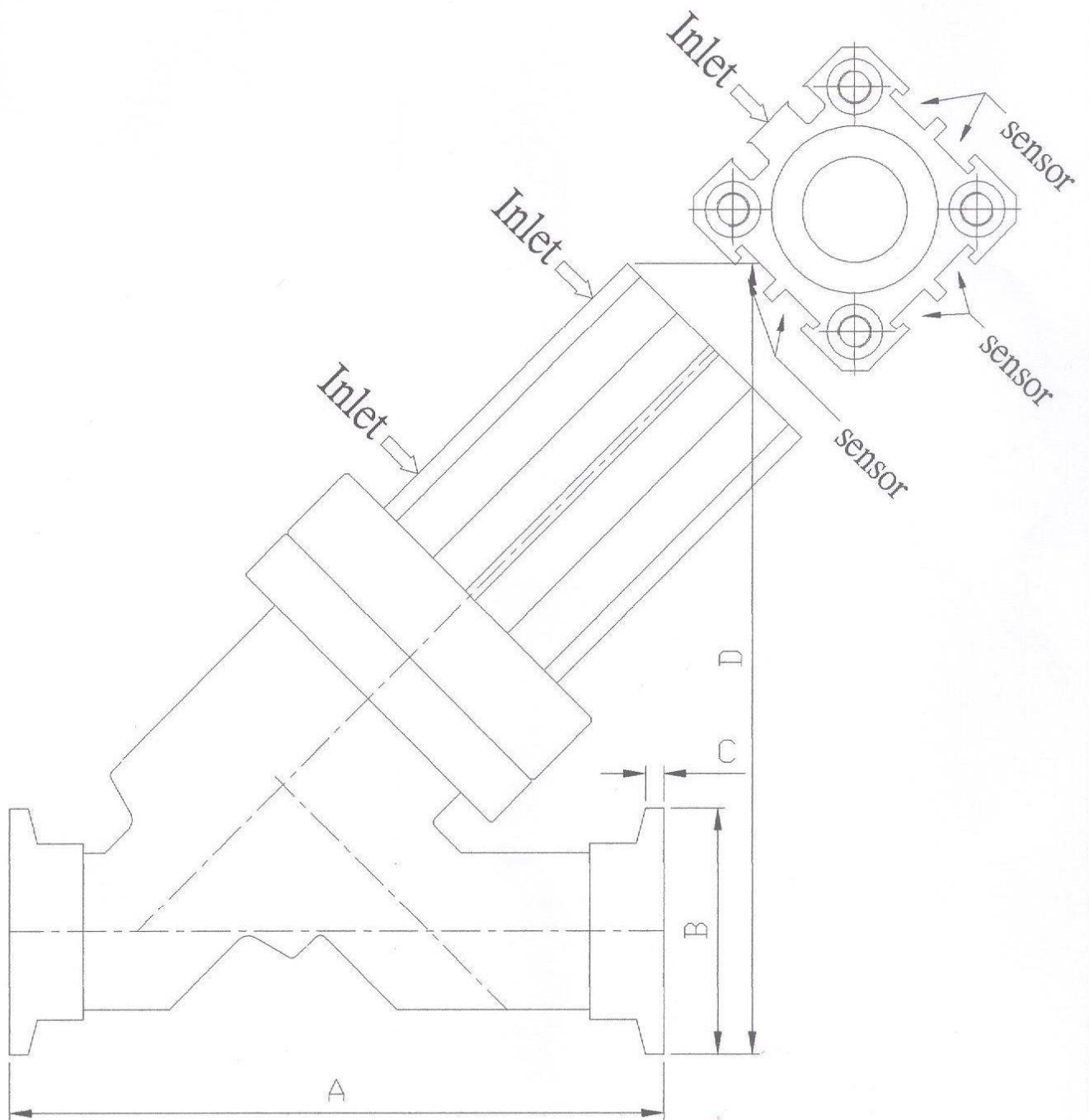
NONE SCALE

Angle Valve Dimension Pneumatic 25 Valve



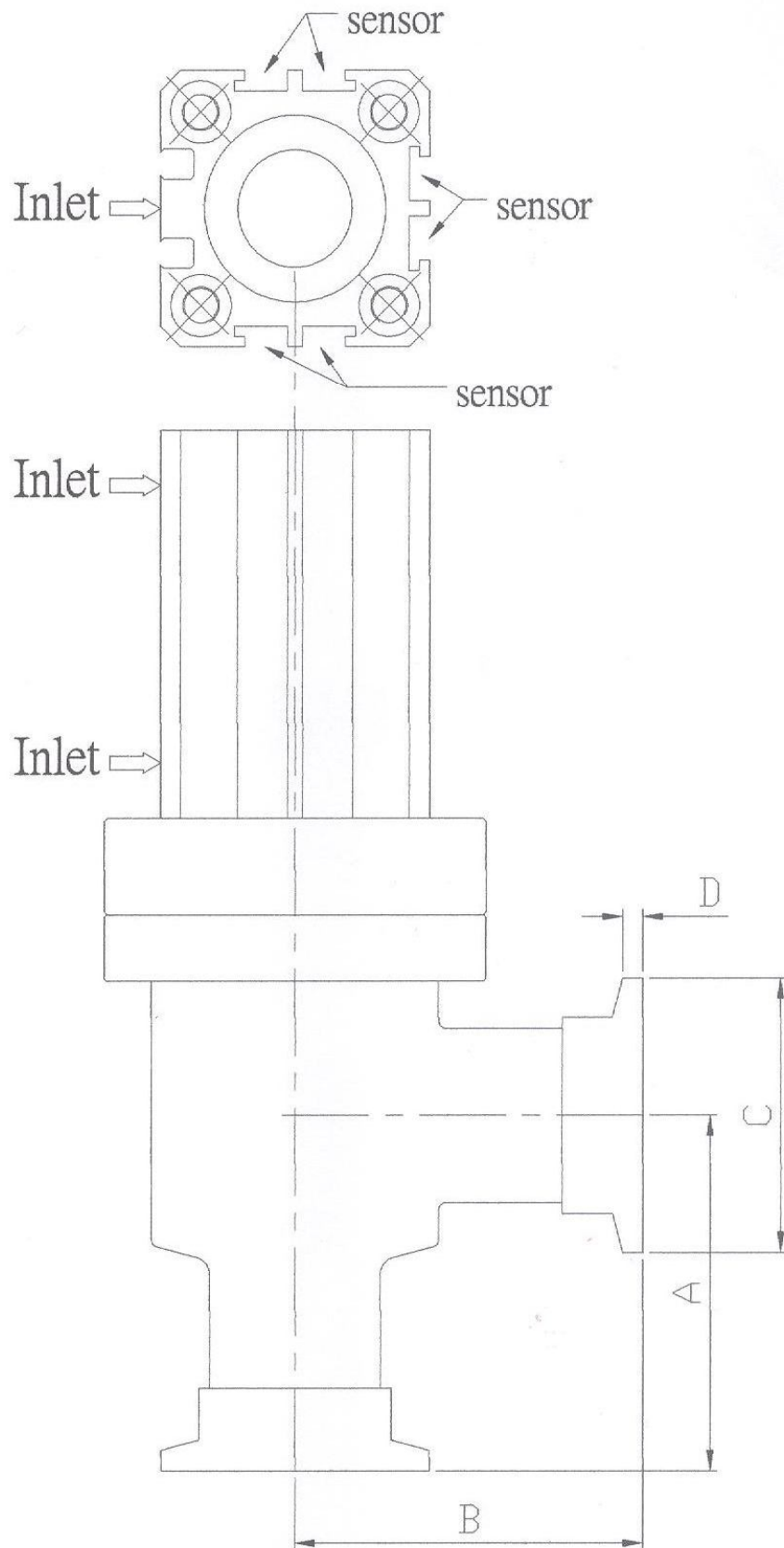
NONE SCALE

Angle Valve Dimension Pneumatic 16 Valve



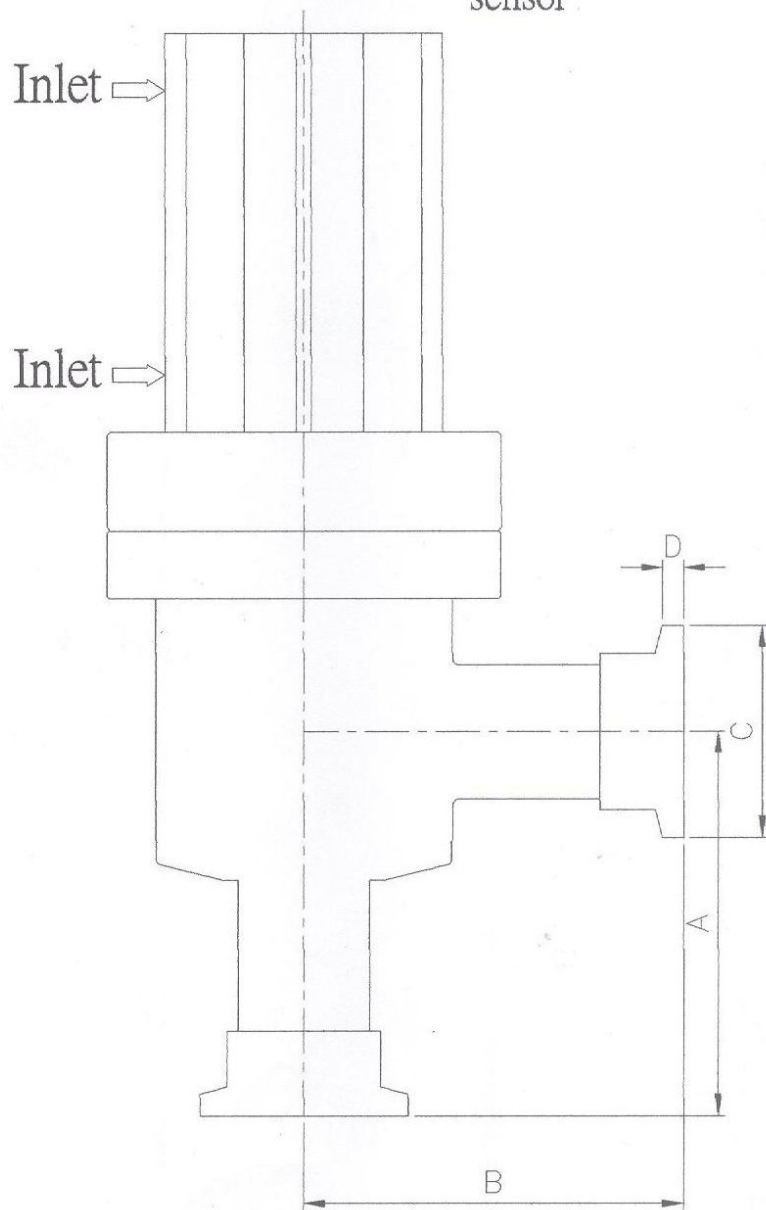
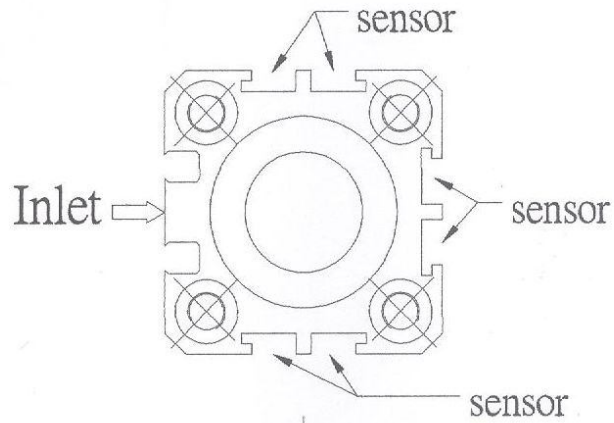
NONE SCALE

Angle Valve Dimension Pneumatic 25 Valve

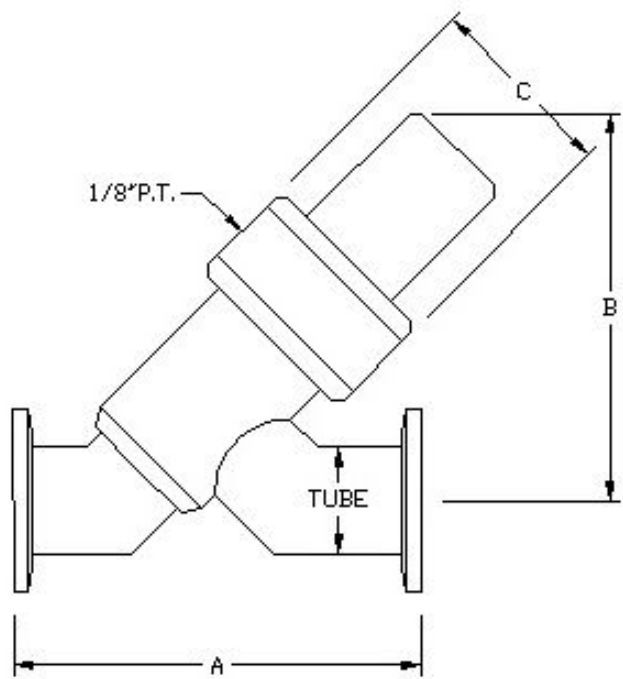


NONE SCALE

Angle Valve Dimension Pneumatic 16 Valve



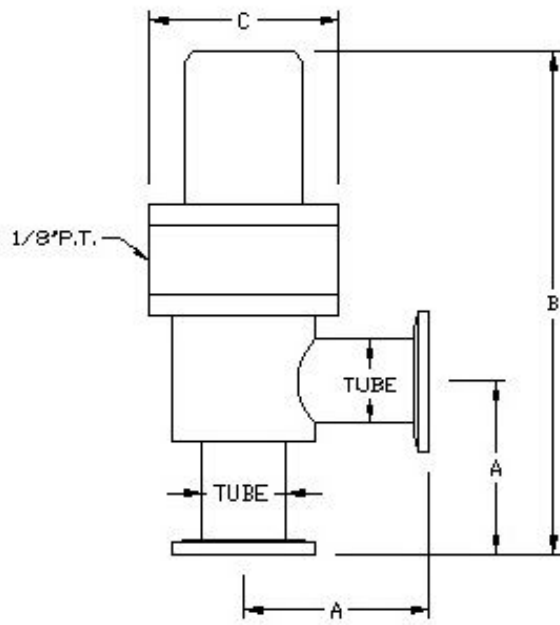
NONE SCALE



Unit:Inch

Part No.	TUBE	A	B	C
AV-NV16-180-P	0.75	4.00	3.47	2.24
AV-NV25-180-P	1.00	4.20	3.42	2.24
AV-NV40-180-P	1.50	5.12	4.55	2.95
AV-NV50-180-P	2.00	7.00	6.19	3.52

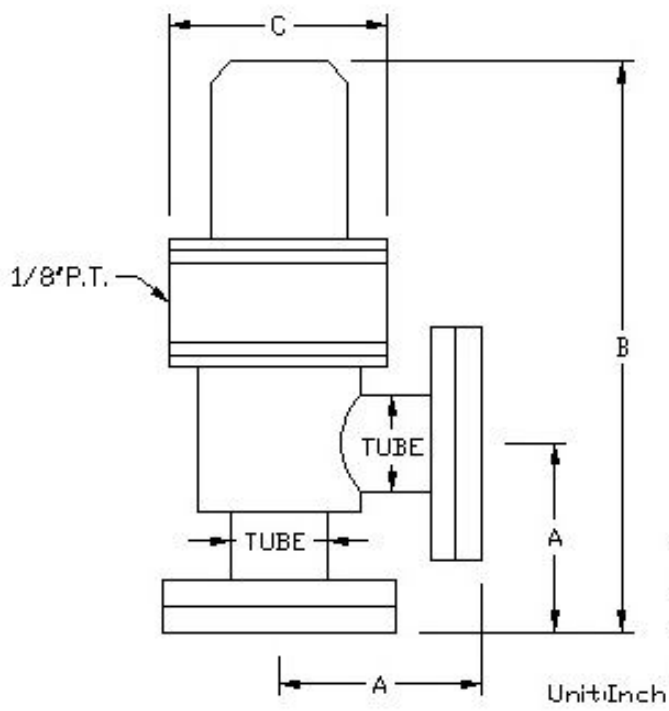
006-Valve



Unit:Inch

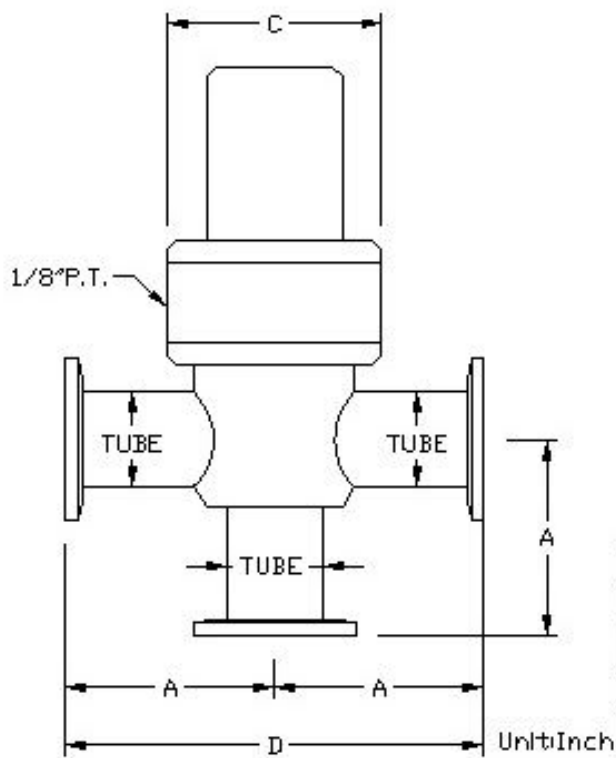
Part No.	TUBE	A	B	C
AV-NV16-90-P	0.75	2.15	5.46	2.24
AV-NV25-90-P	1.00	2.03	5.92	2.24
AV-NV40-90-P	1.50	2.40	7.70	2.95
AV-NV50-90-P	2.00	3.40	10.33	3.52

002-Valve



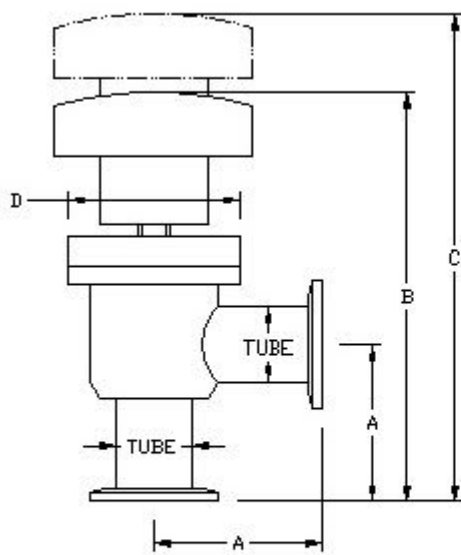
Part No.	TUBE	A	B	C
AV-CR16-90-P	0.75	2.50	6.59	2.24
AV-CR35-90-P	1.50	2.45	7.77	2.95

004-Valve



Part No.	TUBE	A	B	C	D
AV-NW16-T-P	0.75	2.15	6.18	2.24	4.30
AV-NW25-T-P	1.00	2.03	5.94	2.24	4.06
AV-NW40-T-P	1.50	2.40	7.71	2.95	4.80
AV-NW50-T-P	2.00	3.40	10.28	3.52	6.80

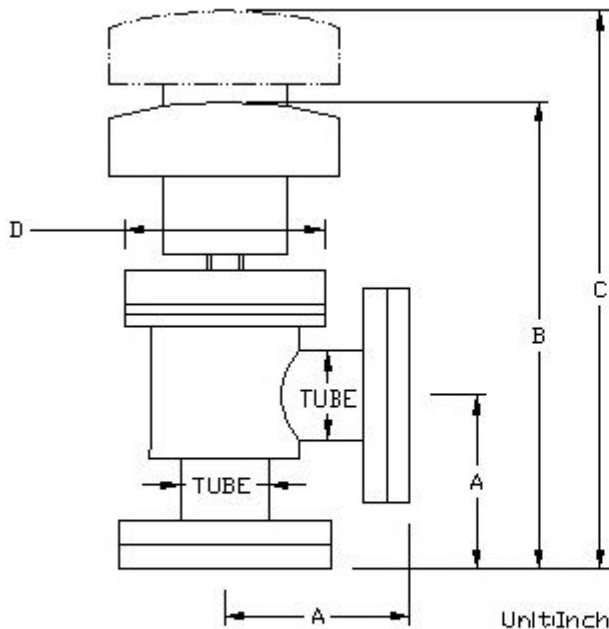
008-Valve



Unit:Inch

Part No.	TUBE	A	B	C	D
AV-NW16-90-M	0.75	2.15	4.83	5.57	2.24
AV-NW25-90-M	1.00	2.03	5.012	5.64	2.24
AV-NW40-90-M	1.50	2.40	6.3	7.84	2.95
AV-NW50-90-M	2.00	3.40	8.15	9.92	3.52

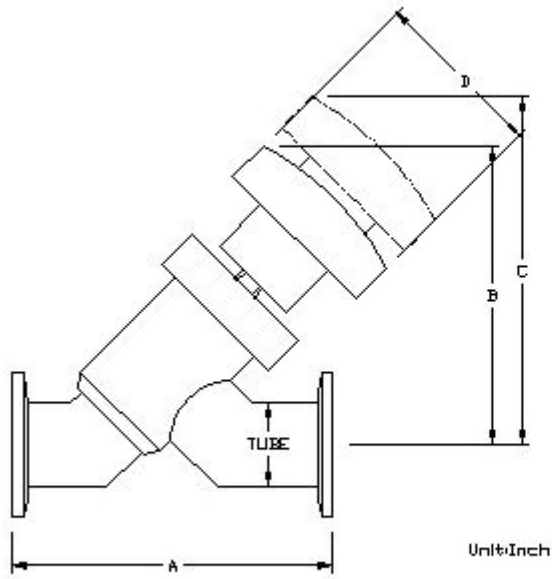
001-Valve



Unit:Inch

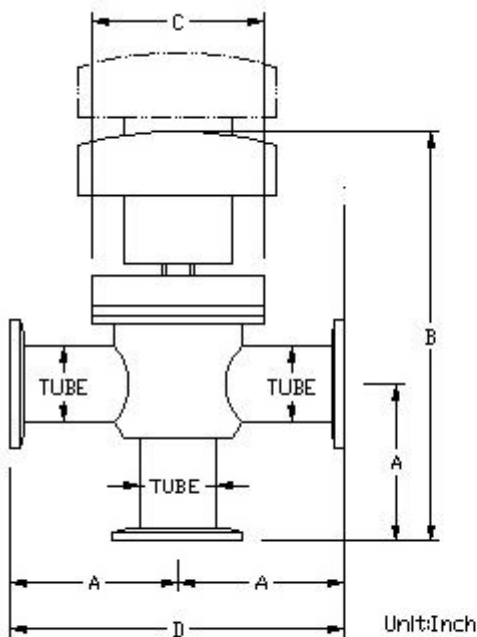
Part No.	TUBE	A	B	C	D
AV-CR16-90-M	0.75	2.25	5.06	5.81	2.24
AV-CR35-90-M	1.50	2.45	5.84	7.34	2.95

003-Valve



Part No.	Description	TUBE	A	B	C	D
PMO IL07 5A PMO IL07 5B PMO IL07 5C	NO flange 1.33CF on both ports KF16 on both ports	0.75	4.00	3.47	4.01	2.24
PMO IL100A PMO IL100B PMO IL100C	NO flange 2.12CF on both ports KF25 on both ports	1.00	4.20	3.42	4.14	2.24
PMO IL150A PMO IL150B PMO IL150C	NO flange 2.75CF on both ports KF40 on both ports	1.50	5.12	4.55	5.61	2.95
PMO IL200A PMO IL200B PMO IL200C	NO flange 3.38CF on both ports KF50 on both ports	2.00	7.00	6.19	9.15	3.52

005-Valve



Part No.	TUBE	A	B	C	D
AV-NV16-T-M	0.75	2.15	4.83	2.24	4.30
AV-NV25-T-M	1.00	2.03	5.01	2.24	4.06
AV-NV40-T-M	1.50	2.40	6.3	2.95	4.80
AV-NV50-T-M	2.00	2.40	8.15	3.52	6.90

007-Valve