



User Manual#: FMFP192005GM  
19"/23" Rack mount type fuse alarm panel  
Widely used for telecommunication purpose.

# USER MANUAL

**Product Name:** Fuse Alarm Panel, 20 positions. GMT type fuse, 5A  
**Description:** 19"/23" rack mount type fuse alarm panel. Maximum 20 positions. Color: White.  
**Part Number:** FMFP192005GM



## AVANTECH CORP.

ADD: NO.300-5, LUNG-SHOU ST., TAOYUAN CITY, TAOYUAN 33058, TAIWAN  
TEL: 886-3-2173355 FAX: 886-3-2171857  
EMAIL: [SALES@AVANTECH.COM.TW](mailto:SALES@AVANTECH.COM.TW)  
[HTTP://WWW.AVANTECH.COM.TW](http://WWW.AVANTECH.COM.TW)





User Manual#: FMFP192005GM  
19"/23" Rack mount type fuse alarm panel  
Widely used for telecommunication purpose.

## 1.OVERVIEW

- 1.1 The fuse alarm panel provides protection and warning function for the power feeding of OLTE, PCM or other transmission equipments.
- 1.2 Replaceable fuse, you can replace it from the front side.
- 1.3 High capacity, up to 20 power feeding circuits. You can order the model (8, 12, 16, 20 etc) as required. Fits for 19" or 23" rack.
- 1.4 The power feeding path is independent. When you replace the fuse, the other path does not be affected.

## 2.STRUCTURE

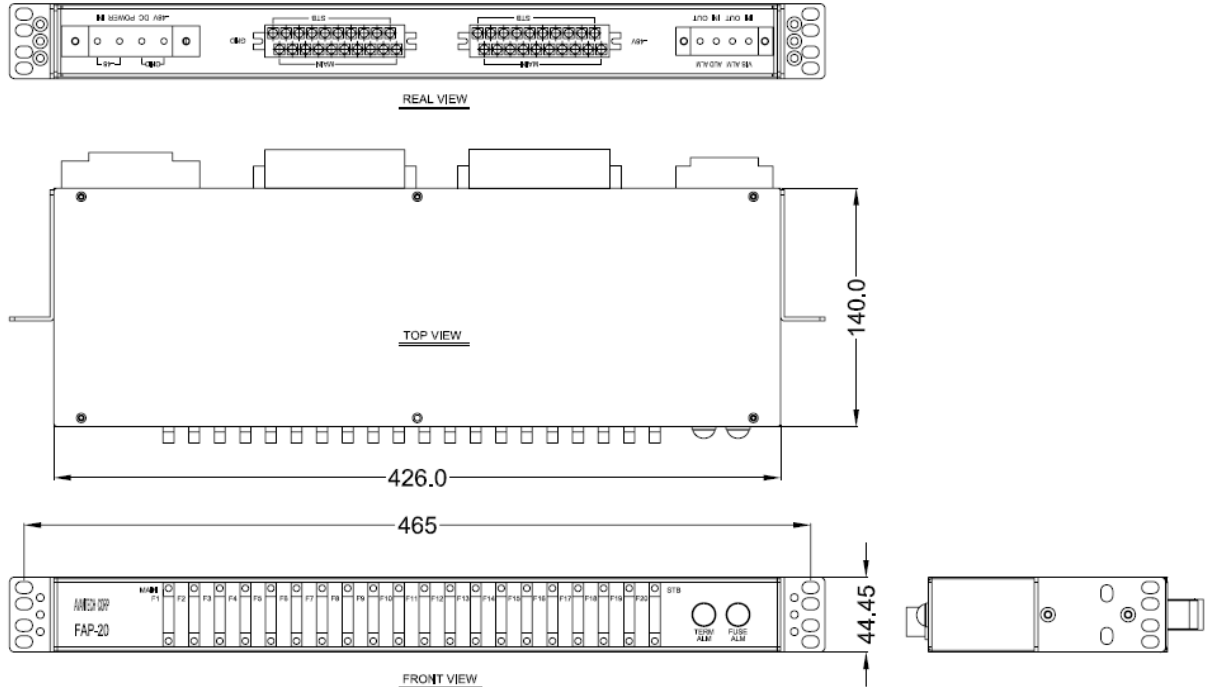
- 2.1 Provides the fuses and alarm light in the front,the terminals are located at the rear. The remote alarm system would be noted when the alarm light is on.
- 2.2 Dimension:44.45mm(H)x478mm(W)x140mm(D).
- 2.3 Case: Rust-Proof steel .
- 2.4 Terminals: Tinned brass pin teminals.
- 2.5 Fues: 5A (Optional choice: 0.5A, 1A, 1.5A, 2A, 3A, 4A, 7.5A, 10A, 12A, 15A).





User Manual#: FMFP192005GM  
 19"/23" Rack mount type fuse alarm panel  
 Widely used for telecommunication purpose.

## Assembly Drawings



- NOTES: 1. Dimensions are mm(millimeter)  
 2. Fuse 15A Max. Use Bussman Type.  
 3. Universal 19"&23" mounting brackets.  
 4. Use 4 pcs #12-24 or M5 screw fixed on rack.

## 3.INSTALLATION

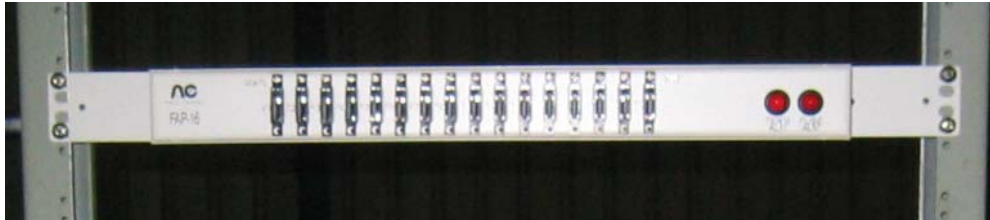
### ALERT

ALERT! This product must be installed and maintained only by qualified personnel. Verify all connections meet requirements specified in local electric codes or operating company guidelines before supplying power.

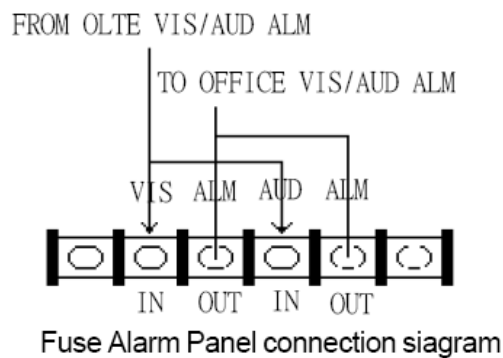




User Manual#: FMFP192005GM  
19"/23" Rack mount type fuse alarm panel  
Widely used for telecommunication purpose.



- 3.1 Install the power alarm panel in the rack with four pieces #12-24 screw.
- 3.2 Connect the power terminals to -48V and ground.
- 3.3 Connection diagram



- 3.4 You can use dual power supply to feed the equipments, one is main, one is stand by. If you only has one power supply, use the provided short plate to short the both -48V terminals.
- 3.5 Connect the vision (VIS) and audio (AUD) warning signal from the equipment to the VIS ALM IN and AUD ALM IN terminals.
- 3.6 Connect the vision (VIS) and audio (AUD) warning signal from the VIS ALM OUT and AUD ALM OUT terminals to the office for monitoring.
- 3.7 When any one fuse is broken, you can see a white mark in the small hole of the fuse. The panel Fuse ALM indicator lights and sends a ground signal to the office VIS ALM and AUD ALM.
- 3.8 When equipment sends out a ground VIS ALM signal, the panel TERM ALM indicator lights and sends out a ground signal to the office VIS ALM.
- 3.9 When the equipment sends out a ground AUD ALM signal, the panel will route the signal to the office AUD ALM.



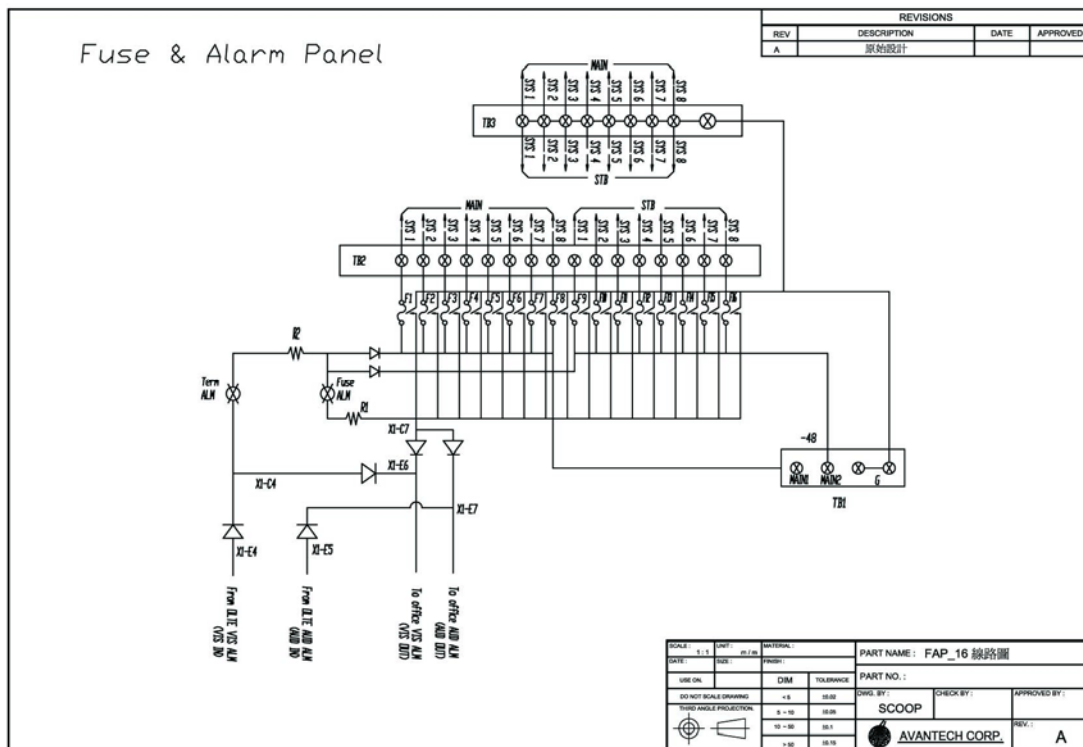


User Manual#: FMFP192005GM  
 19"/23" Rack mount type fuse alarm panel  
 Widely used for telecommunication purpose.

## 4. Test method

- 4.1 Connect the DC power to the -48V and GND terminals.
- 4.2 Use multimeter to measure the voltage of every output terminals.
- 4.3 Replace any one fuse with the broken fuse, the FUSE ALM indicator lights and the AUD ALM OUT and VIS ALM OUT terminals will be at ground voltage.
- 4.4 Connect the ground signal to the VIS ALM IN terminal, the TERM ALM indicator lights and the VIS ALM OUT terminal will be at ground voltage.
- 4.5 Connect the ground signal to the AUD ALM IN terminal, the AUD ALM OUT terminal will be at ground voltage.

## 5. Connection diagram





User Manual#: FMFP192005GM  
 19"/23" Rack mount type fuse alarm panel  
 Widely used for telecommunication purpose.

## 6.ACCESSORIES

\*\*\* Immediately report any shipping damage, defects, or missing parts to our agent locally, and keep all documentation that comes with your shipment. For all warranty issue, please contact with our agent locally, you can find the agent information from our websites: <http://www.avantech.com.tw>.

The following list shows the accessories of this fuse panel.

Item	Description	Part Number	Quantity (Pcs)
Manage Card	Use this card to connect the -48V terminal while using 1 power line only.	GCFAP000	1
GMT Fuses	5 A Red	EH0F05002	optional
Mounting Brackets	White	NFAP93000	2
SCREW 1	12-14*12mm, colored	KD1200120	4
SCREW 2	M4*8mm	KD0400081	4
TERMINAL 1	R8-5 (fuse panel)	GCR850000	4
TERMINAL 2	Y1.25-3S FUSE	GCY1253S0	40
User Manual	User Manual	UMFP192005GM	1

Mounting Brackets



Terminal 2



Terminal 1



Fuse (0.5A)



Manage card



Screw 2



Screw 1

